

ECOFIT

EC FANS
powered by G9 and L4 motors




rosenberg
THE AIR MOVEMENT GROUP



ECOFIT and EC Technology

ECOFIT and EC Technology

It is now possible to protect the environment while making energy savings. From now on, with the ECOFIT EC technology, you can spend responsibly.

EC technology: an energy saving high-technology

In the ECOFIT range, EC technology motor means motor with electronic commutation. The ECOFIT EC motor is designed to be powered by 230V 50/60Hz. The rotor consists of permanent magnets. The stator is driven by electronic switches controlled by a microcontroller. The motor is brushless.

The ECOFIT EC motor is a synchronous motor. Unlike AC asynchronous motor, the EC motor has no slippage, therefore less losses which gives higher efficiency.

Up to 70% of energy savings!

With ECOFIT EC fan range, the energy consumption can be reduced by up to 70%.

Compared to standard AC fans, EC fans work independently from nominal speed and frequency. Rotational speed is not limited to the power supply or frequency but only by the maximum motor power. This allows an extended speed range.

EC fans advantages are numerous: low running costs, speed control, ease of control, high efficiency and long life expectancy.

The electronic is fully integrated inside the motor casing. No separate installation is needed. As option, a constant airflow logic or a constant pressure can be developed, including sensor for the backward curved centrifugal fans and without sensor for forward curved centrifugal fans.

Easy control...

The ECOFIT EC fans are easy to control with a 0-10VDC or PWM signal. A 10VDC electronic output is integrated for fan control. Furthermore a tachometric output is available which can be also used as an alarm relay (optional).

The new ECOFIT EC motors **G9** and **L4** are available with backward curved impellers in diameter 192, 220, 225, 250, 280 and 315 mm. Airflow range varies between 780m³/h (RREG**9** 192x40R p/n K49-A4) and 2.525 m³/h (RREL**4** 315x101R p/n K04-A6).

ECOFIT EC fans fitted with D7 motors are still available: consult detailed performances data in the « ECOFIT MOTORS and FANS » catalogue.

EC technology is also available for forward curved centrifugal fans: single inlet diameter 140 mm, 160 mm and double inlet diameter 146 mm, 160 mm. The forward curved centrifugal fans main advantage is « constant pressure » or « constant airflow » control without sensor.

Contact us right now, we will develop your projects together with you.

Contents

✓ Backward curved centrifugal fans

K49-A4 RREG9 192x40R	p.1
K49-A5 RREG9 220x45R	p.2
K49-A6 RREG9 225x63R	p.3
I47-A5 RREL4 250x56R	p.4
K04-A7 RREL4 280x80R	p.5
K04-A6 RREL4 315x101R	p.6

✓ Single inlet centrifugal fans: GREG9 160x62R

L02-A1 Standard Version	p.7
L02-A2 Constant pressure Version	p.8
K39-A7 Constant airflow Version	p.9

✓ Double inlet centrifugal fans: GDSG9 146x188R

L02-A3 Standard Version	p.10
L02-A4 Constant pressure Version	p.11
L02-A5 Constant airflow Version	p.12

✓ Double inlet centrifugal fans: GDSDL4 160x242L

K03-A2 Standard Version	p.13
-------------------------------	------

Backward curved centrifugal fans - G9 motor



Data sheet



For professional use only. Please refer to the conditions of use of our catalogue.

Ind. 0 - Revision : 01-2012

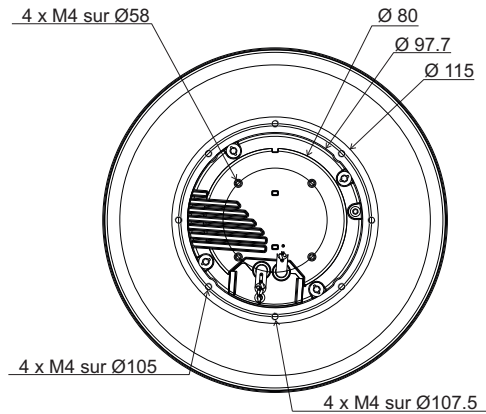
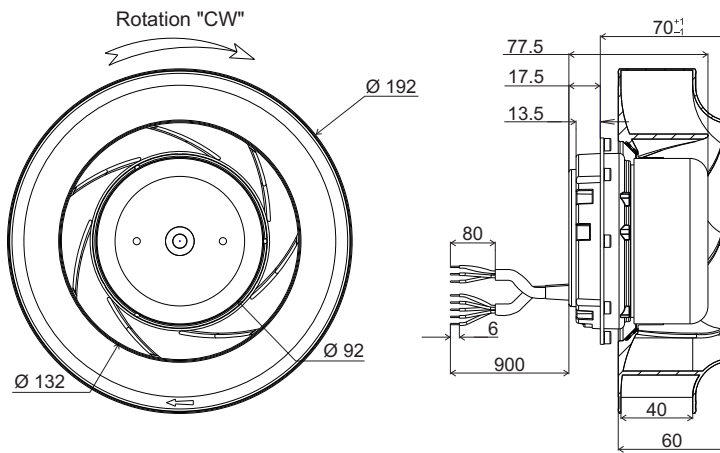
RREG9 192x40R P/N K49-A4

Voltage	Frequency	Input power	Current	Airflow	Speed rotation	Noise level	Rotation direction	Operating temperature	ErP 2013	ErP 2015
V	Hz	Wa	A	m³/h	RPM	dBA	↻	Min / Max	OK	OK
230	50/60	140	1,15	780	3 990	74	R	-20°C / +50°C	OK	OK

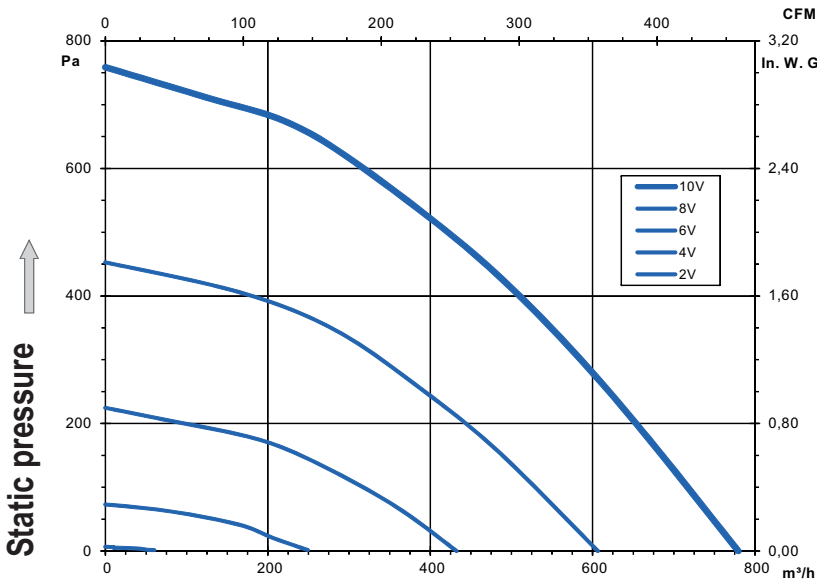
230	50/60	459 CFM		-4°F / +122°F	
-----	-------	---------	--	---------------	--



dBa: free let out



Non contractual document. All specifications are subject to change without prior notice. Picture for information only.



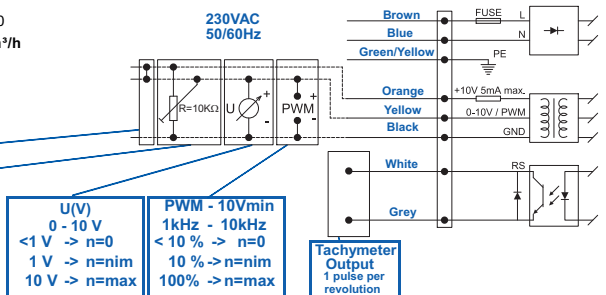
- Weight: 1,2 Kg
- Ball bearing
- Class F winding
- IP4x may be IP44 after checking customer appliance
- G2.5 balancing
- Rotor : black paint
- PP plastic impeller



Finger guard Inlet cone
21181 16043

Full Speed

POTENTIOMETER



[Http://www.ecofit.com](http://www.ecofit.com)

E-mail: info@ecofit.com

Professional use only

09 / 2012

Backward curved centrifugal fans - G9 motor



Data sheet



For professional use only. Please refer to the conditions of use of our catalogue.

Ind. 0 - Revision : 01-2012

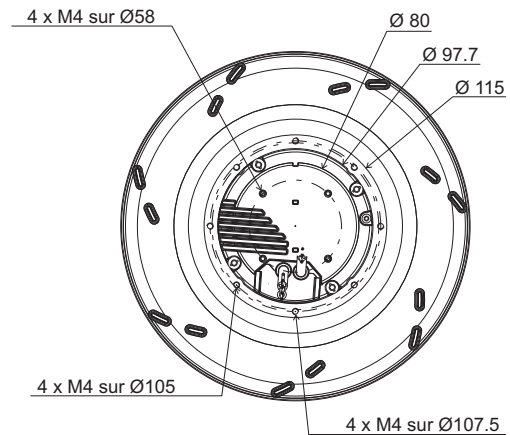
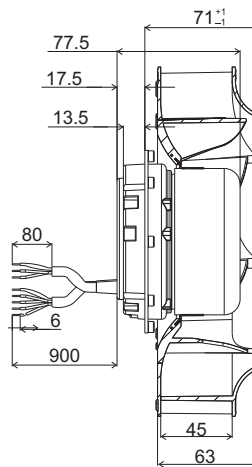
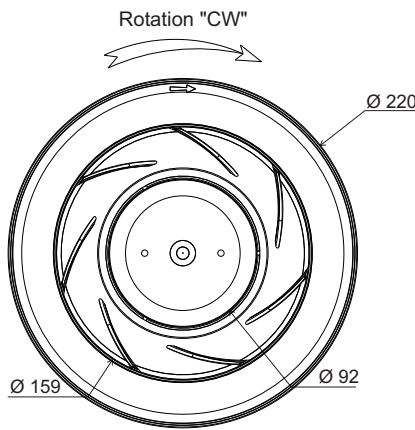
RREG9 220x45R P/N K49-A5

Voltage	Frequency	Input power	Current	Airflow	Speed rotation	Noise level	Rotation direction	Operating temperature	ErP 2013	ErP 2015
V	Hz	Wa	A	m ³ /h	RPM	dBA	↻	Min / Max	OK	OK
230	50/60	145	1,19	1250	3 995	71	R	-20°C / +50°C	OK	OK

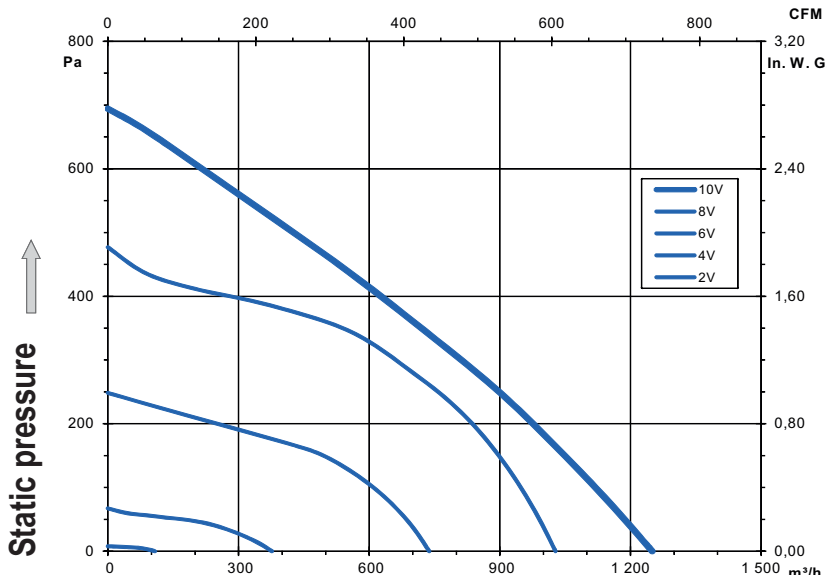
230	50/60	735 CFM	-4°F / +122°F
-----	-------	---------	---------------



dBa: free let out



Non contractual document. All specifications are subject to change without prior notice. Picture for information only.



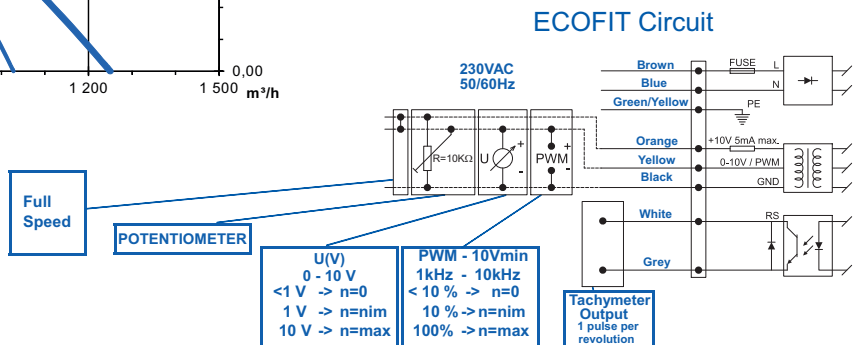
- Weight: 1,6 Kg
- Ball bearing
- Class F winding
- IP4x may be IP44 after checking customer appliance
- G2.5 balancing
- Rotor: black paint
- PA 6/6 plastic impeller



Airflow →

Inlet cone

16214



[Http://www.ecofit.com](http://www.ecofit.com)

E-mail: info@ecofit.com

Professional use only

09 / 2012

Backward curved centrifugal fans - G9 motor



Data sheet



For professional use only. Please refer to the conditions of use of our catalogue.

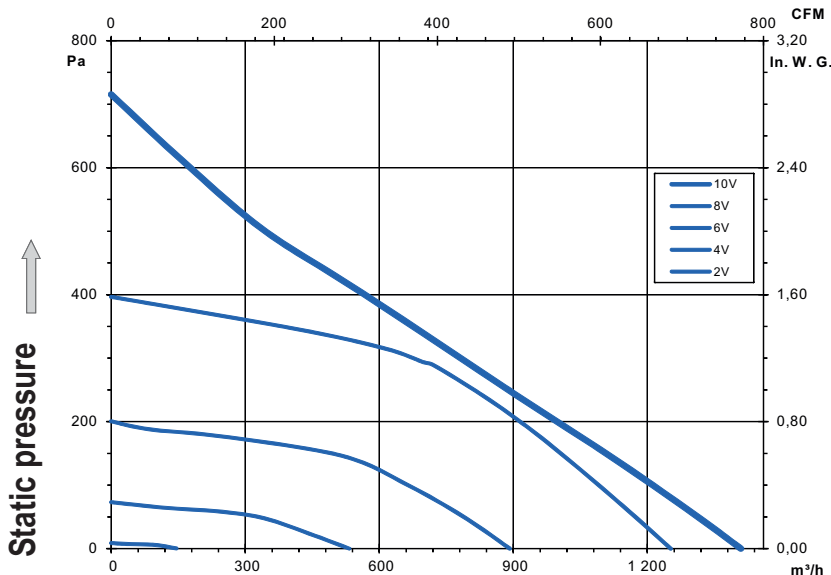
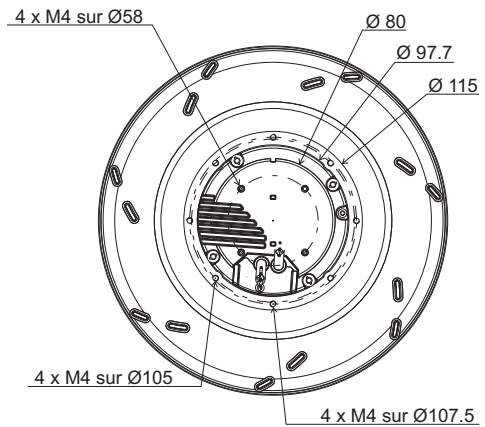
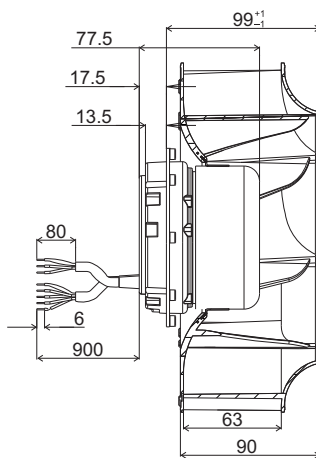
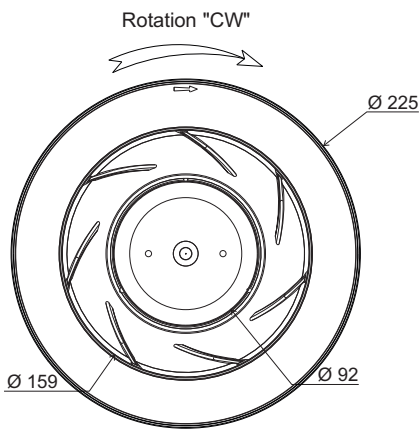
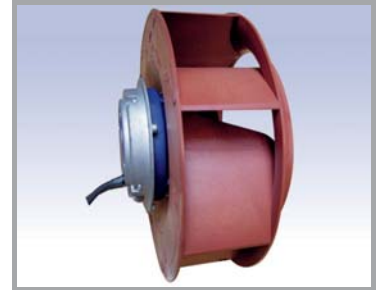
Ind. 0 - Revision : 01-2012

RREG9 225x63R P/N K49-A6

Voltage	Frequency	Input power	Current	Airflow	Speed rotation	Noise level	Rotation direction	Operating temperature	ErP 2013	ErP 2015
V	Hz	Wa	A	m³/h	RPM	dBA	↻	Min / Max	OK	OK
230	50/60	155	1,25	1410	2780	71	R	-20°C / +50°C	OK	OK

230	50/60	829 CFM	-4°F / +122°F
-----	-------	---------	---------------

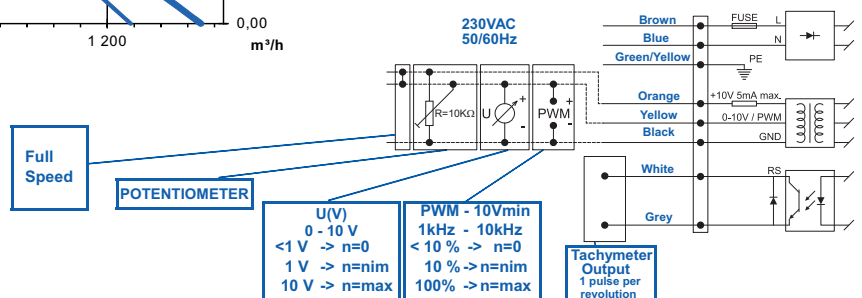
dBa: free let out



- Weight: 1,7 Kg
- Ball bearing
- Class F winding
- IP4x may be IP44 after checking customer appliance
- G2.5 balancing
- Rotor: black paint
- PA 6/6 UL V-0 plastic impeller



ECOFIT Circuit



Non contractual document. All specifications are subject to change without prior notice. Picture for information only.



[Http://www.ecofit.com](http://www.ecofit.com)

E-mail: info@ecofit.com

Professional use only

09 / 2012

Backward curved centrifugal fans - L4 motor



Data sheet



For professional use only. Please refer to the conditions of use of our catalogue.

Ind. 0 - Revision : 01-2012

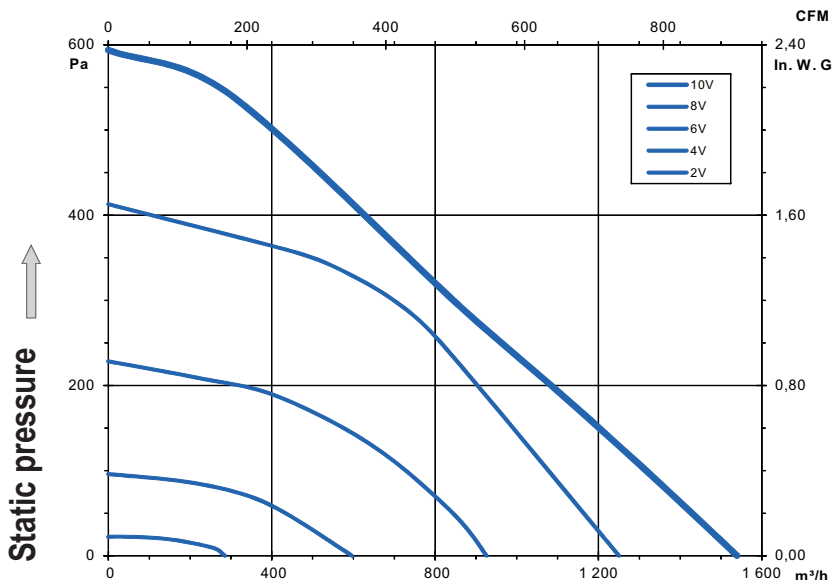
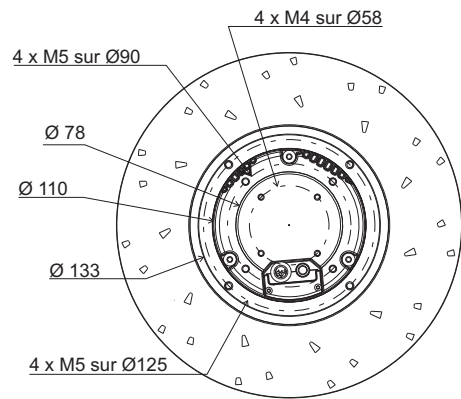
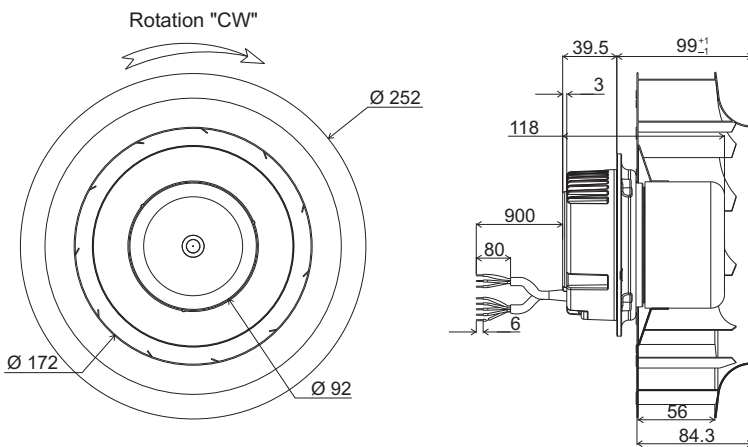
RREL4 250x56R

P/N I47-A5

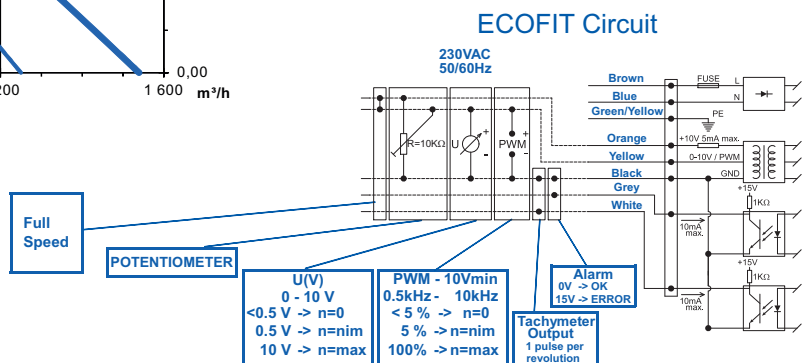
Voltage	Frequency	Input power	Current	Airflow	Speed rotation	Noise level	Rotation direction	Operating temperature	ErP 2013	ErP 2015
V	Hz	Wa	A	m³/h	RPM	dBA	↻	Min / Max	OK	OK
230	50/60	174	0,76	1540	2770	75	R	-20°C / +45°C	OK	OK

230	50/60			906 CFM				-4°F / +113°F		
-----	-------	--	--	---------	--	--	--	---------------	--	--

dBa: free let out



- Weight: 2,5 Kg
- Ball bearing
- Class F winding
- IP4x may be IP44 after checking customer appliance
- G2.5 balancing
- Rotor: black paint
- Galvanized steel impeller



Non contractual document. All specifications are subject to change without prior notice. Picture for information only.



[Http://www.ecofit.com](http://www.ecofit.com)

E-mail: info@ecofit.com

Professional use only

09 / 2012

Backward curved centrifugal fans - L4 motor



Data sheet

For professional use only. Please refer to the conditions of use of our catalogue.



Ind. 0 - Revision : 01-2012

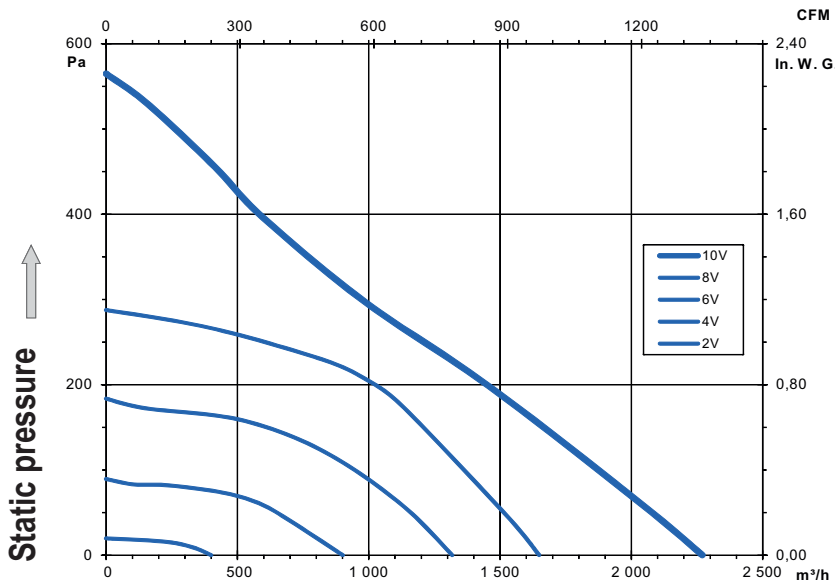
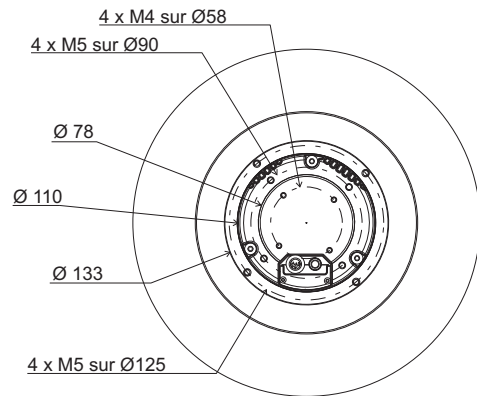
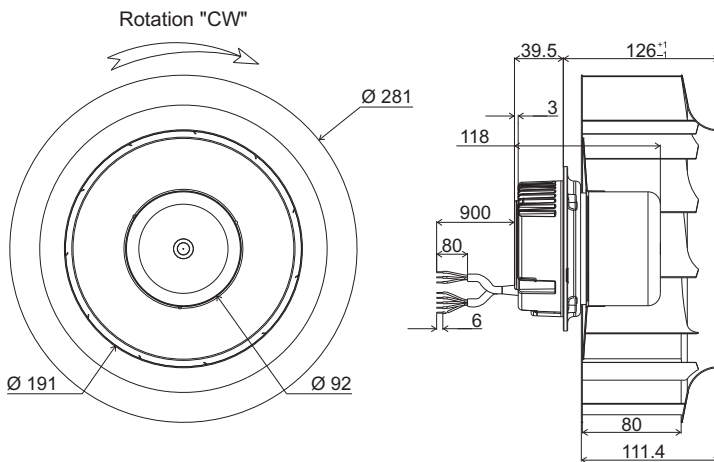
RREL4 280x80R

P/N K04-A7

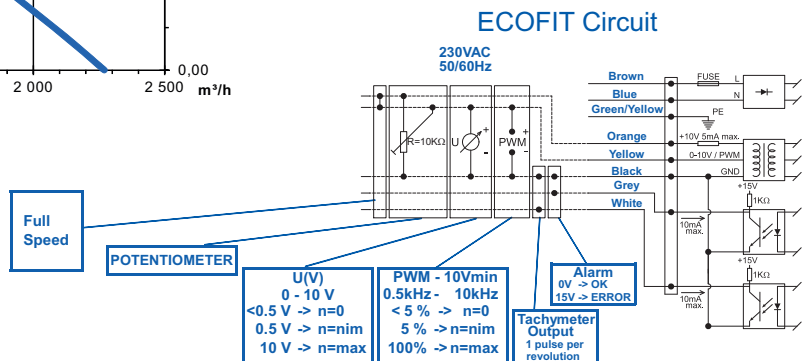
Voltage	Frequency	Input power	Current	Airflow	Speed rotation	Noise level	Rotation direction	Operating temperature	ErP 2013	ErP 2015
V	Hz	Wa	A	m ³ /h	RPM	dBA	↻	Min / Max	OK	OK
230	50/60	200	0,90	2270	2290	72	R	-20°C / +45°C	OK	OK
230	50/60			1336 CFM				-4°F / +113°F		



dBa: free let out



- Weight: 2,9 Kg
- Ball bearing
- Class F winding
- IP4x may be IP44 after checking customer appliance
- G2.5 balancing
- Rotor: black paint
- Galvanized steel impeller



Non contractual document. All specifications are subject to change without prior notice. Picture for information only.



[Http://www.ecofit.com](http://www.ecofit.com)

E-mail: info@ecofit.com

Professional use only

09 / 2012

Backward curved centrifugal fans - L4 motor



Data sheet



For professional use only. Please refer to the conditions of use of our catalogue.

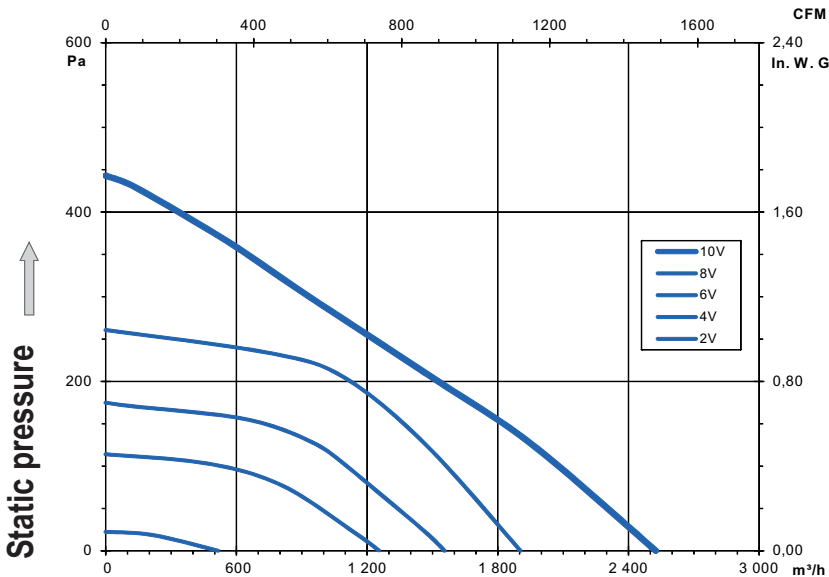
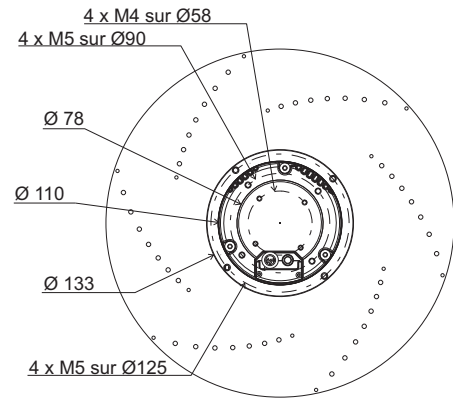
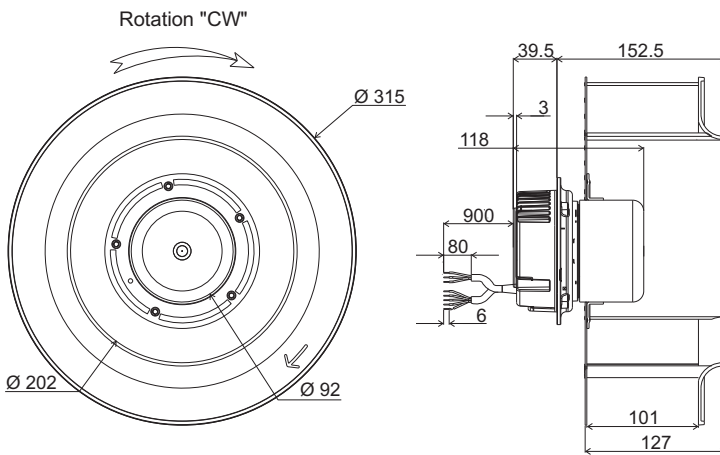
Ind. 0 - Revision : 01-2012

RREL4 315x101R P/N K04-A6

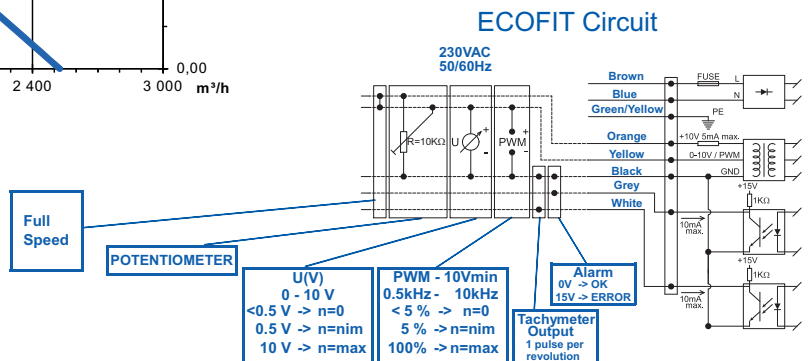
Voltage	Frequency	Input power	Current	Airflow	Speed rotation	Noise level	Rotation direction	Operating temperature	ErP 2013	ErP 2015
V	Hz	Wa	A	m³/h	RPM	dBA	↻	Min / Max	OK	OK
230	50/60	177	0,78	2525	1790	67	R	-20°C / +45°C	OK	OK

230	50/60	1486 CFM	-4°F / +113°F
-----	-------	----------	---------------

dBa: free let out



- Weight: 3,0 Kg
- Ball bearing
- Class F winding
- IP4x may be IP44 after checking customer appliance
- G2.5 balancing
- Rotor: black paint
- PA 6/6 plastic impeller



Non contractual document. All specifications are subject to change without prior notice. Picture for information only.



[Http://www.ecofit.com](http://www.ecofit.com)

E-mail: info@ecofit.com

Professional use only

09 / 2012

Single inlet centrifugal fans - G9 motor



Data sheet



For professional use only. Please refer to the conditions of use of our catalogue.

Ind. 0 - Revision : 01-2012

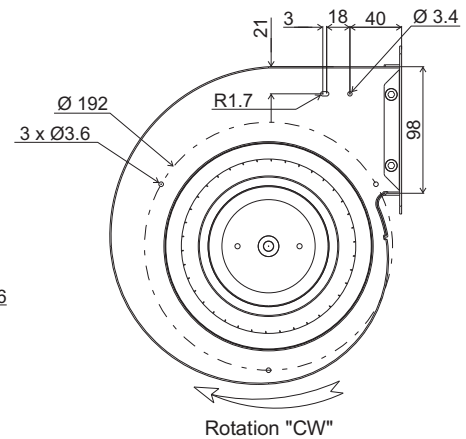
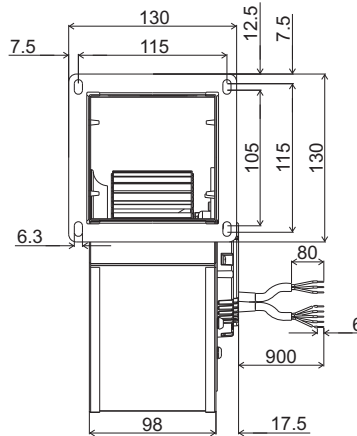
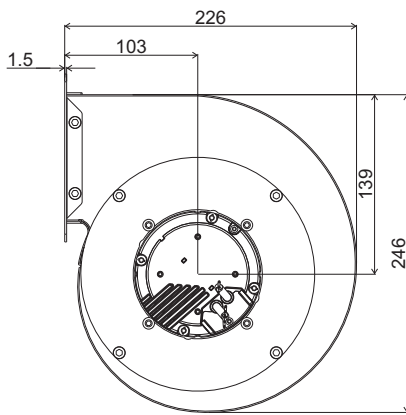
GREG9 160x62R P/N L02-A1

Voltage	Frequency	Input power	Current	Airflow	Speed rotation	Noise level	Rotation direction	Operating temperature	ErP 2013	ErP 2015
V	Hz	Wa	A	m³/h	RPM	dBA	↻	Min / Max	OK	OK
230	50/60	148	1,2	640	1865	65	R	-20°C / +50°C	OK	OK

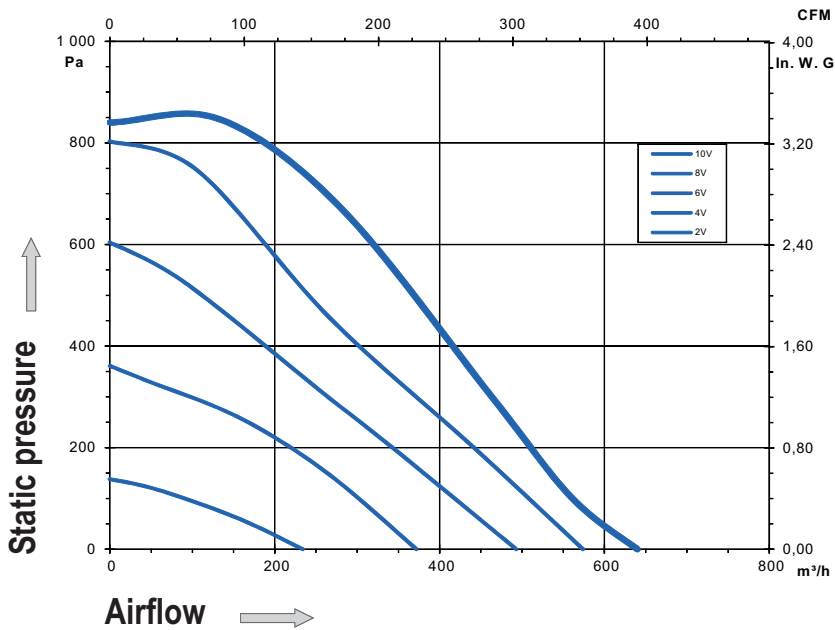
230	50/60	376 CFM	-4°F / +122°F
-----	-------	---------	---------------



dBa: free let out



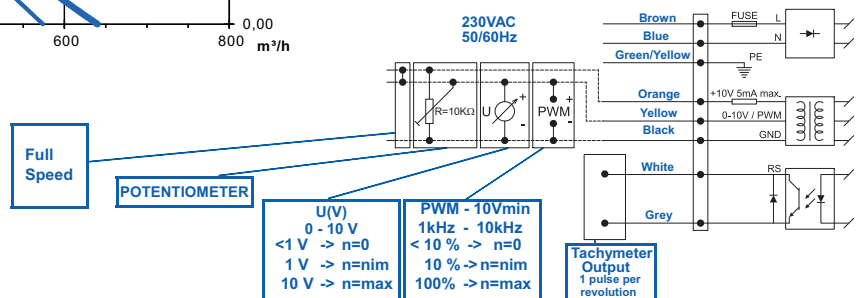
Non contractual document. All specifications are subject to change without prior notice. Picture for information only.



- Weight: 2,7 Kg
- Ball bearing
- Class F winding
- IP4x may be IP44 after checking customer appliance
- G2.5 balancing
- Scroll housing: black paint
- Galvanized steel impeller



ECOFIT Circuit



[Http://www.ecofit.com](http://www.ecofit.com)

E-mail: info@ecofit.com

Professional use only

09 / 2012

Single inlet centrifugal fans - G9 motor



Data sheet

For professional use only. Please refer to the conditions of use of our catalogue.



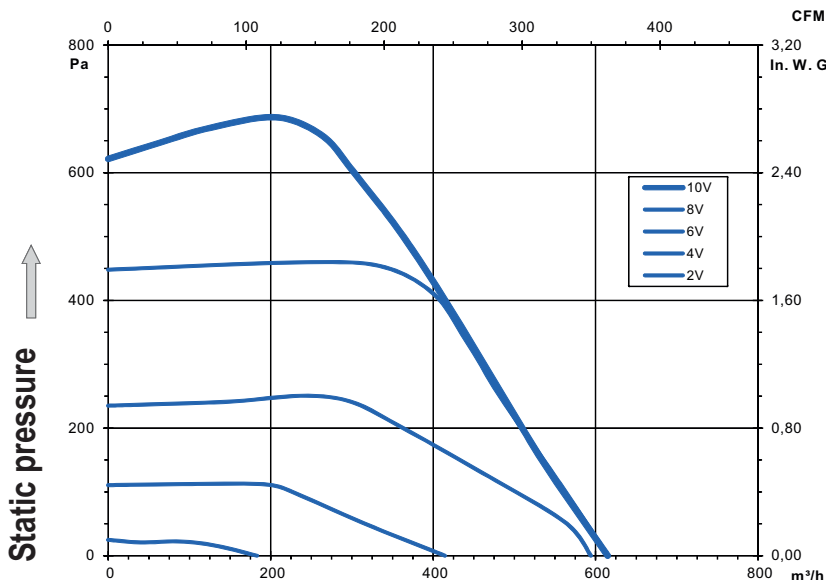
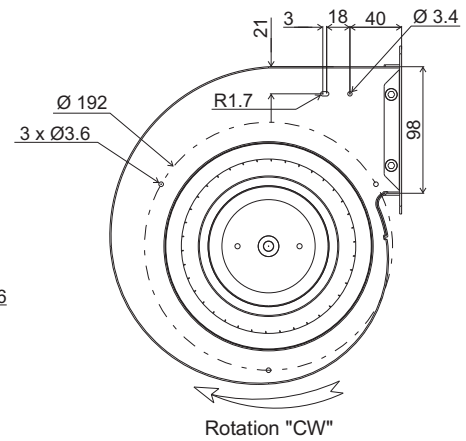
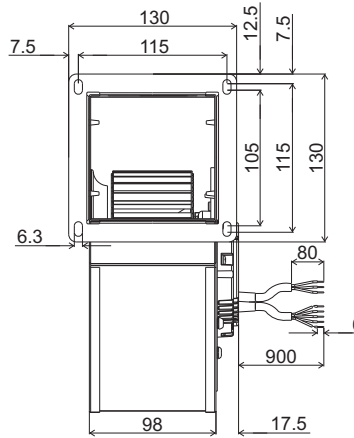
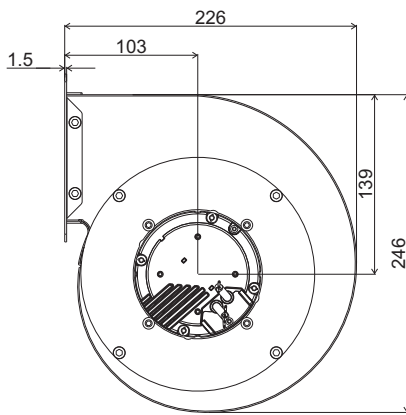
Ind. 0 - Revision : 01-2012

GREG9 160x62R P/N L02-A2

Voltage	Frequency	Input power	Current	Airflow	Speed rotation	Noise level	Rotation direction	Operating temperature	ErP 2013	ErP 2015
V	Hz	Wa	A	m³/h	RPM	dBA	↻	Min / Max	OK	OK
230	50/60	132	1,09	615	1810	65	R	-20°C / +50°C	OK	OK

230	50/60	361 CFM		-4°F / +122°F	
-----	-------	---------	--	---------------	--

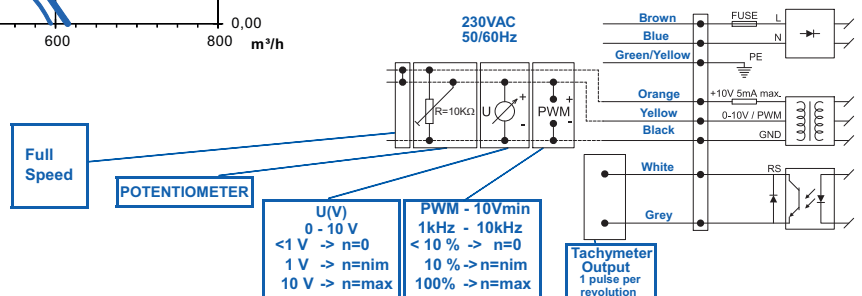
dBa: free let out



- Weight: 2,7 Kg
- Ball bearing
- Class F winding
- IP4x may be IP44 after checking customer appliance
- G2.5 balancing
- Scroll housing: black paint
- Galvanized steel impeller



ECOFIT Circuit



21325



[Http://www.ecofit.com](http://www.ecofit.com)

E-mail: info@ecofit.com

Professional use only

09 / 2012

Non contractual document. All specifications are subject to change without prior notice. Picture for information only.

Single inlet centrifugal fans - G9 motor



Data sheet



For professional use only. Please refer to the conditions of use of our catalogue.

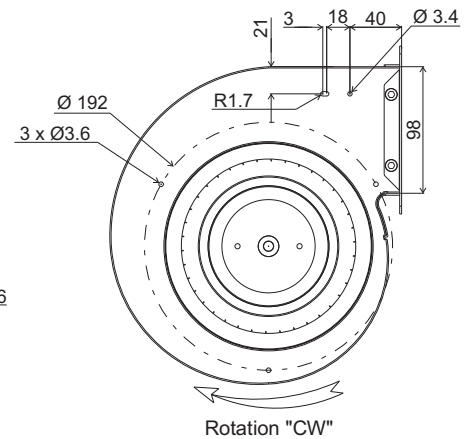
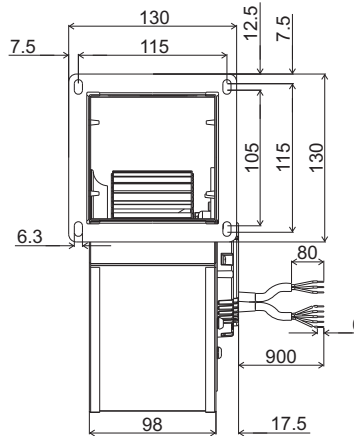
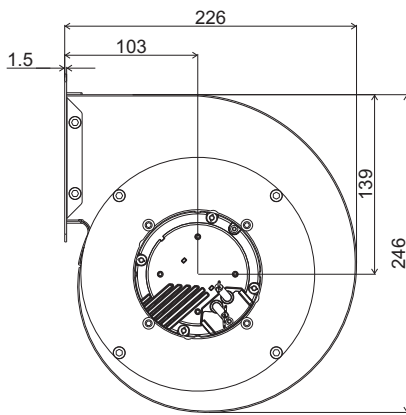
Ind. 0 - Revision : 01-2012

GREG9 160x62R P/N K39-A7

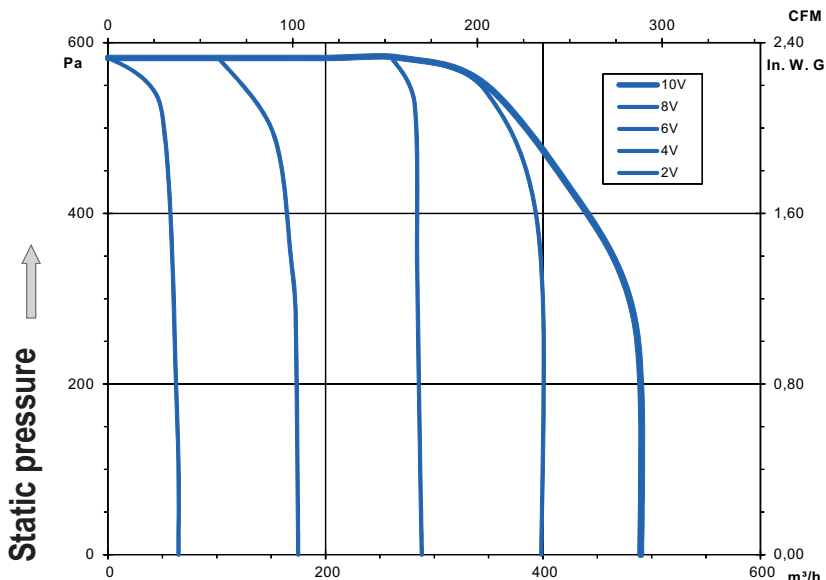
Voltage	Frequency	Input power	Current	Airflow	Speed rotation	Noise level	Rotation direction	Operating temperature	ErP 2013	ErP 2015
V	Hz	Wa	A	m³/h	RPM	dBA	↻	Min / Max	OK	OK
230	50/60	64	0,60	490	1455	59	R	-20°C / +50°C	OK	OK

230	50/60	288 CFM	-4°F / +122°F
-----	-------	---------	---------------

dBa: free let out



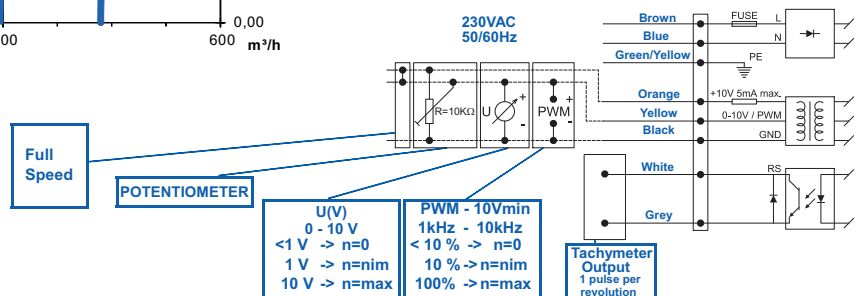
Non contractual document. All specifications are subject to change without prior notice. Picture for information only.



- Weight: 2,7 Kg
- Ball bearing
- Class F winding
- IP4x may be IP44 after checking customer appliance
- G2.5 balancing
- Scroll housing: black paint
- Galvanized steel impeller



ECOFIT Circuit



21325



[Http://www.ecofit.com](http://www.ecofit.com)

E-mail: info@ecofit.com

Professional use only

09 / 2012

Double inlet centrifugal fans - G9 motor



Data sheet

For professional use only. Please refer to the conditions of use of our catalogue.



Ind. 0 - Revision : 01-2012

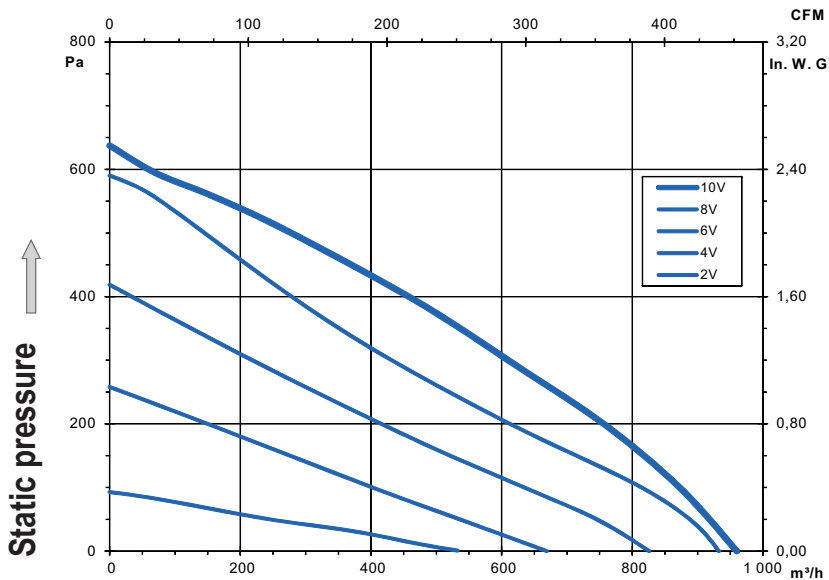
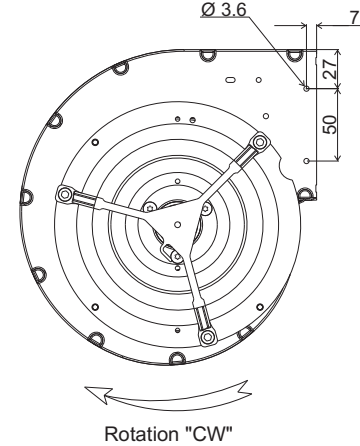
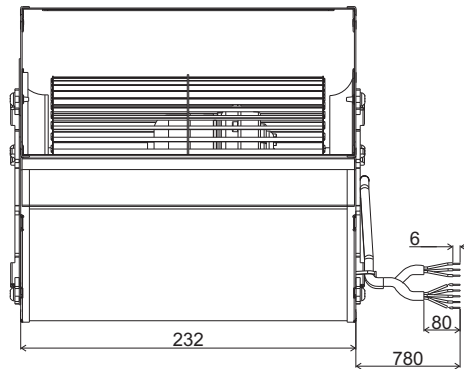
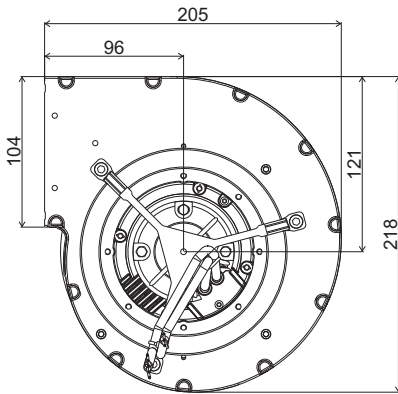
GDSG9 146x188R

P/N L02-A3

Voltage	Frequency	Input power	Current	Airflow	Speed rotation	Noise level	Rotation direction	Operating temperature	ErP 2013	ErP 2015
V	Hz	Wa	A	m³/h	RPM	dBA	↻	Min / Max	OK	OK
230	50/60	98	0,86	960	1230	59	R	-20°C / +50°C	OK	OK

230	50/60	565 CFM	-4°F / +122°F
-----	-------	---------	---------------

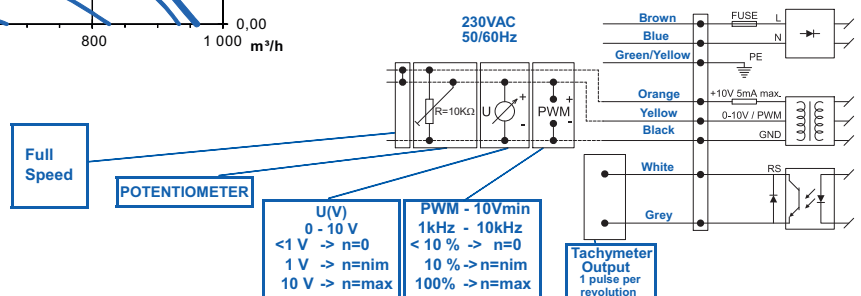
dBa: free let out



- Weight: 3,3 Kg
- Ball bearing
- Class F winding
- IP4x may be IP44 after checking customer appliance
- G2.5 balancing
- Scroll housing: black paint
- Galvanized steel impeller



ECOFIT Circuit



Airflow →

Finger guard

21338

Non contractual document. All specifications are subject to change without prior notice. Picture for information only.

Double inlet centrifugal fans - G9 motor



Data sheet



For professional use only. Please refer to the conditions of use of our catalogue.

Ind. 0 - Revision : 01-2012

GDSG9 146x188R

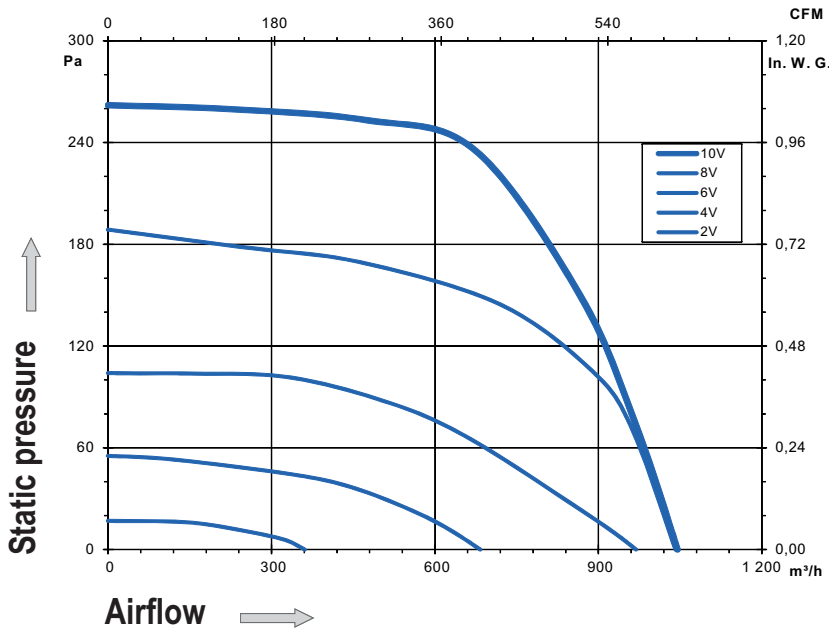
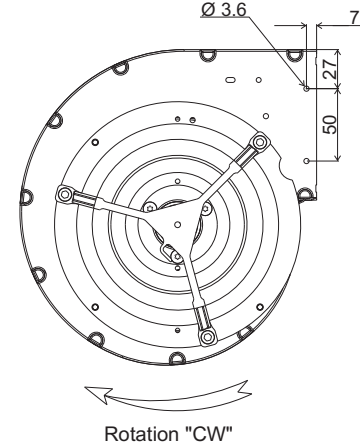
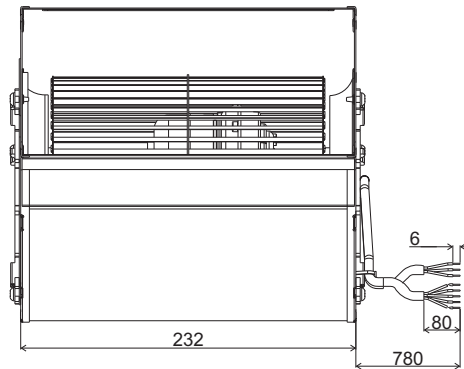
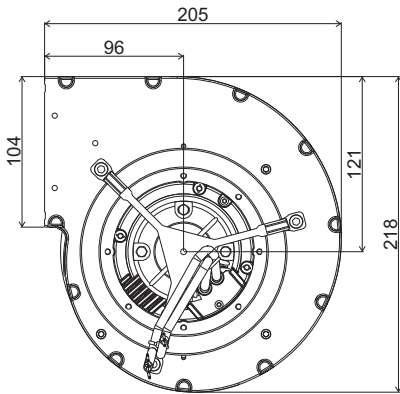
P/N L02-A4

Voltage	Frequency	Input power	Current	Airflow	Speed rotation	Noise level	Rotation direction	Operating temperature	Erp 2013	Erp 2015
V	Hz	Wa	A	m³/h	RPM	dBA	↻	Min / Max	NA	NA
230	50/60	141	1,15	1045	1395	62	R	-20°C / +50°C	NA	NA

230	50/60	615 CFM	-4°F / +122°F
-----	-------	---------	---------------

dBa: free let out

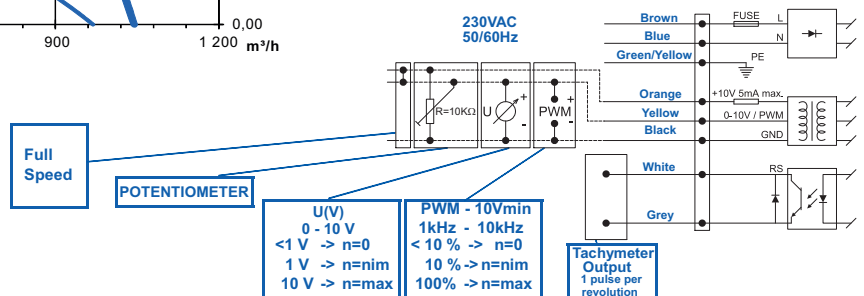
NA: Non applicable



- Weight: 3,3 Kg
- Ball bearing
- Class F winding
- IP4x may be IP44 after checking customer appliance
- G2.5 balancing
- Scroll housing: black paint
- Galvanized steel impeller



ECOFIT Circuit



Finger guard

21338

Non contractual document. All specifications are subject to change without prior notice. Picture for information only.



[Http://www.ecofit.com](http://www.ecofit.com)

E-mail: info@ecofit.com

Professional use only

09 / 2012

Double inlet centrifugal fans - G9 motor



Data sheet

For professional use only. Please refer to the conditions of use of our catalogue.



Ind. 0 - Revision : 01-2012

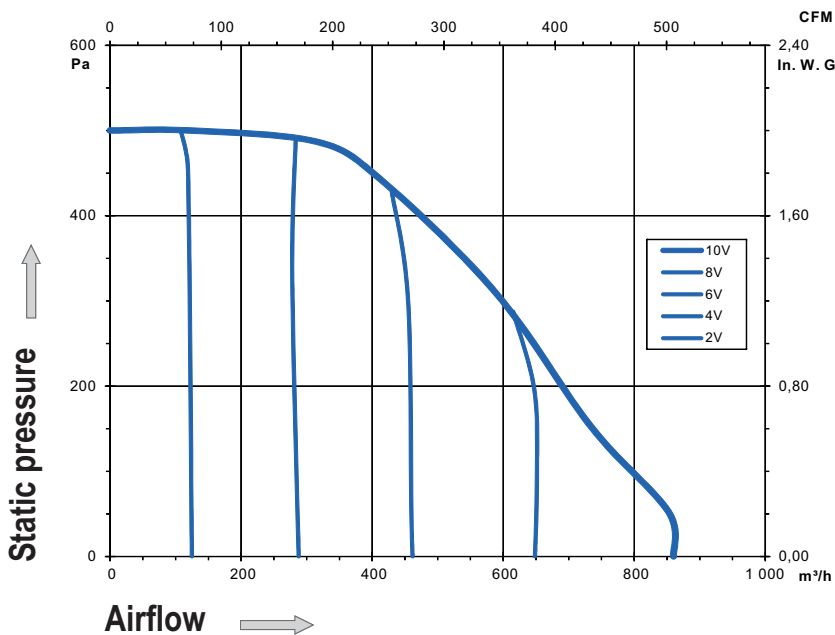
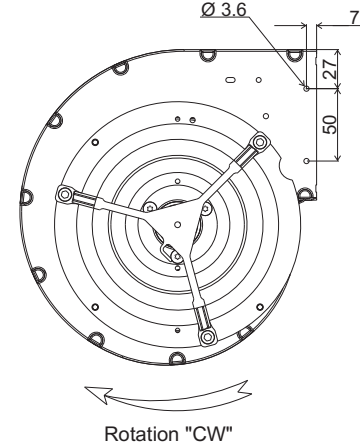
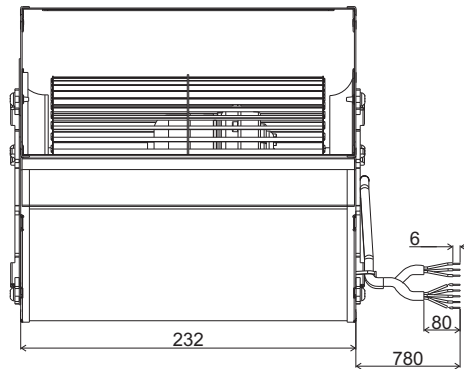
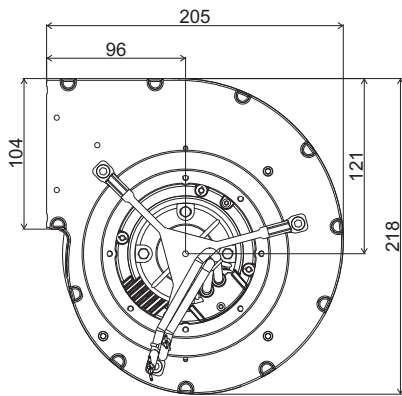
GDSG9 146x188R

P/N L02-A5

Voltage	Frequency	Input power	Current	Airflow	Speed rotation	Noise level	Rotation direction	Operating temperature	ErP 2013	ErP 2015
V	Hz	Wa	A	m ³ /h	RPM	dBA	↻	Min / Max	OK	OK
230	50/60	52	0,52	860	1030	56	R	-20°C / +50°C	OK	OK

230	50/60	506 CFM	-4°F / +122°F
-----	-------	---------	---------------

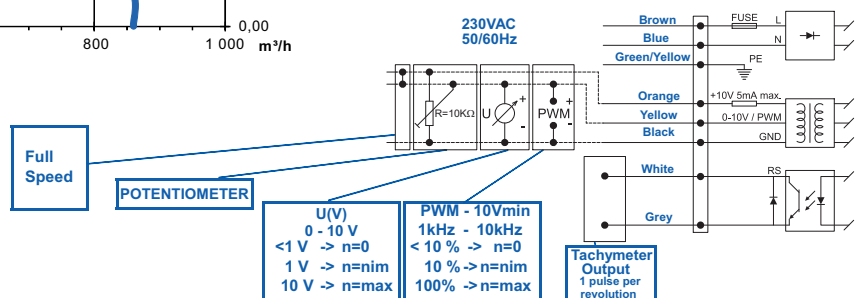
dBa: free let out



- Weight: 3,3 Kg
- Ball bearing
- Class F winding
- IP4x may be IP44 after checking customer appliance
- G2.5 balancing
- Scroll housing: black paint
- Galvanized steel impeller



ECOFIT Circuit



Non contractual document. All specifications are subject to change without prior notice. Picture for information only.



[Http://www.ecofit.com](http://www.ecofit.com)

E-mail: info@ecofit.com

Professional use only

09 / 2012

Double inlet centrifugal fans - L4 motor



Data sheet

For professional use only. Please refer to the conditions of use of our catalogue.



Ind. 0 - Revision : 01-2012

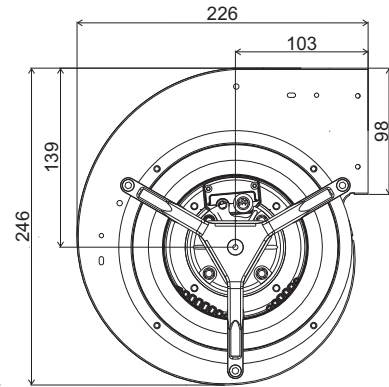
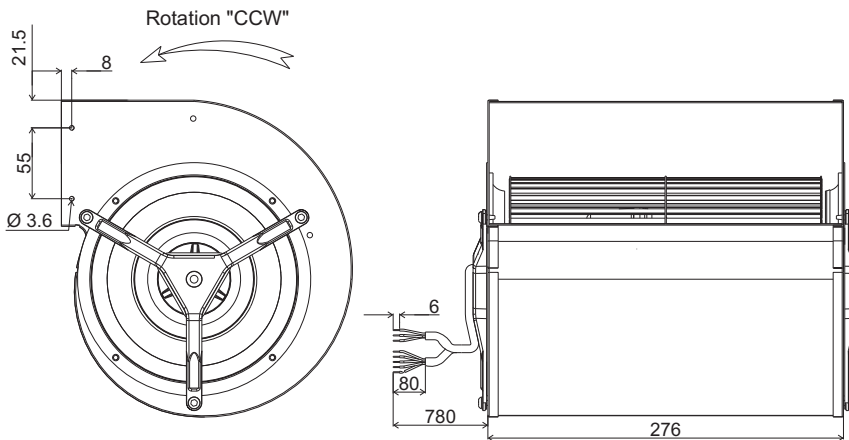
GDSL4 160x242L

P/N K03-A2

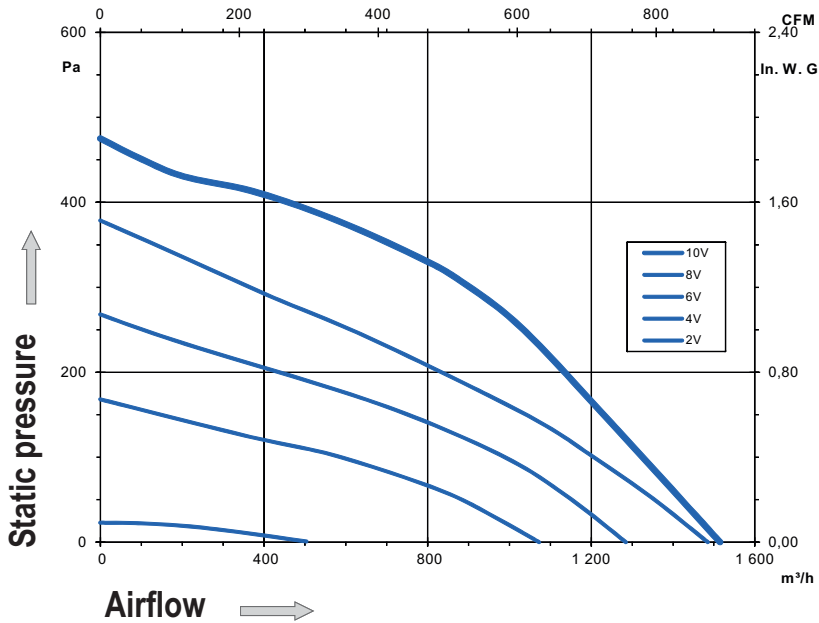
Voltage	Frequency	Input power	Current	Airflow	Speed rotation	Noise level	Rotation direction	Operating temperature	ErP 2013	ErP 2015
V	Hz	Wa	A	m³/h	RPM	dBA	↻	Min / Max	OK	OK
230	50/60	210	0,92	1515	1390	65	R	-20°C / +45°C	OK	OK

230	50/60			891 CFM				-4°F / +113°F		
-----	-------	--	--	---------	--	--	--	---------------	--	--

dBa: free let out



Non contractual document. All specifications are subject to change without prior notice. Picture for information only.

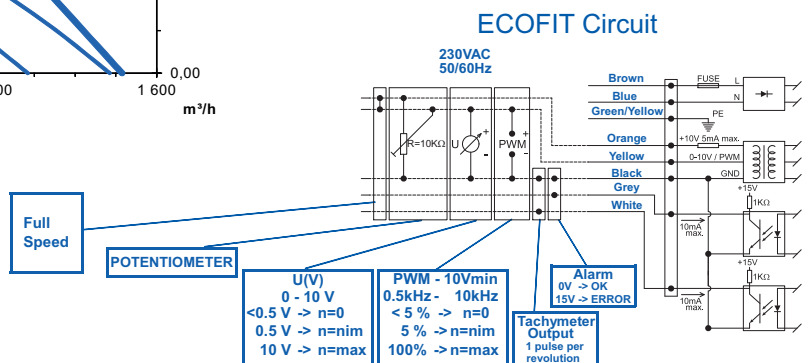


- Weight: 5,7 Kg
- Ball bearing
- Class F winding
- IP4x may be IP44 after checking customer appliance
- G2.5 balancing
- Scroll housing: black paint
- Galvanized steel impeller



Finger guard

21291



[Http://www.ecofit.com](http://www.ecofit.com)

E-mail: info@ecofit.com

Professional use only

09 / 2012



A key partner in ventilation solutions

ECOFIT was established in 1976 to design, manufacture and sell electric motors and fans. Standard products ranges offer is completed by solutions developed in partnership, either based on models, or using customer's specifications.

High quality fans

ECOFIT has been known for more than 30 years as a global leader in ventilation products, and carries on its tradition of excellence using innovative designs and materials to produce high quality fans and blowers, through its ISO 9001 certified manufacturing plant. Most of can be UL, CSA and CCC approved, according to the European directives, they comply with EMI and electrical safety standards.

An international presence

ECOFIT offers an international presence through its network of local offices distributors and representative offices in more than 50 countries. Complete list is available on our web site.

www.ecofit.com

Your local agency or distributor:



About Rosenberg...

Rosenberg is a competitive medium sized company with around 1400 employees worldwide.

During the last 25 years the Rosenberg group has been complemented in Europe by six additional works in France, Italy, Hungary, Czech Republic and Germany, in addition to the numerous subsidiaries and partners around the world.

Our aim is for high quality production backed by top class service for our customers. Thus a continuous flow of information and good cooperation between you, our dear customers, and us is most important, to jointly achieve a continuous evolution of our products and their quality.

Rosenberg Ventilatoren GmbH
Maybachstr. 1/9
D-74653 Künzelsau-Gaisbach
Tel: +49 (0)7940 / 142-0
Fax: +49 (0)7940 / 142-125
E-mail: info@rosenberg-gmbh.com

ECOFIT
Z.I. Sud - Rue Marc Seguin
BP 60008
F-41101 VENDÔME Cedex
Tel.: +33 (0)2 54 23 14 54
Fax: +33 (0)2 54 72 22 73
E-mail: info@ecofit.com