

Portable Fan Heater

Electrical heated

The industrial fan heater that can be moved wherever the user needs it. Model designed with wheels and handle.



Technical features

Robust and functional fan heater specially designed to warm buildings under construction, factories, sports facilities, car parks or fairgrounds of an area of approximately 450 m².

Galvanised sheet steel frame, with epoxy-polyester RAL 9016 structural finish as standard. Other colours or customisation (logos and vinyls) available on request.

Manufactured with 3 galvanised steel diffusers to direct the hot air in 3 different directions.
Optional: polyester fabric diffuser to maximise air outlets and radial heating of the environment.

It has wheels that facilitates to change its location easily according to the need of the user.

Radial back blade fan with external rotor motor. 2-speed selector.

Incorporates electrical shielded elements with two stages and regulation included.

Incorporates a regulator with remote control. Optional: Thermostat for temperature regulation.





| Unit | Airflow (m ³ /h) | Heating power (kW) | Fan power (230V)(W) | Fan intensity (230V)(A) | Weight (Kg) | Noise level (at 5m)(dBA)(*) |
|--------|--------------------------------|-----------------------|------------------------|----------------------------|----------------|--------------------------------|
| FHP9 E | 1250 | 6 / 9 | 178 | 0,79 | 39 | 48/59 |

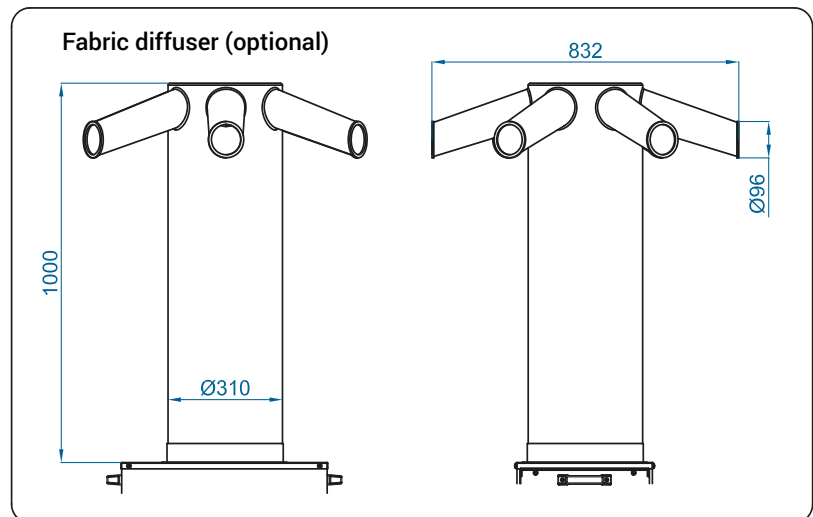
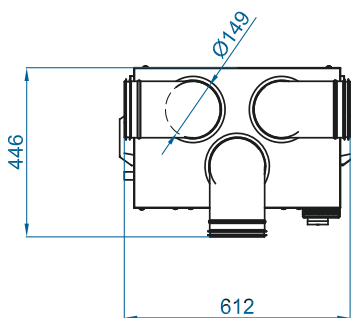
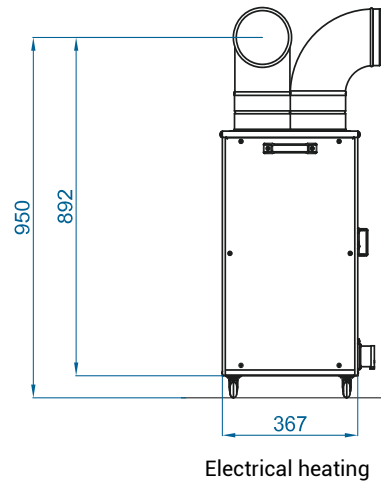
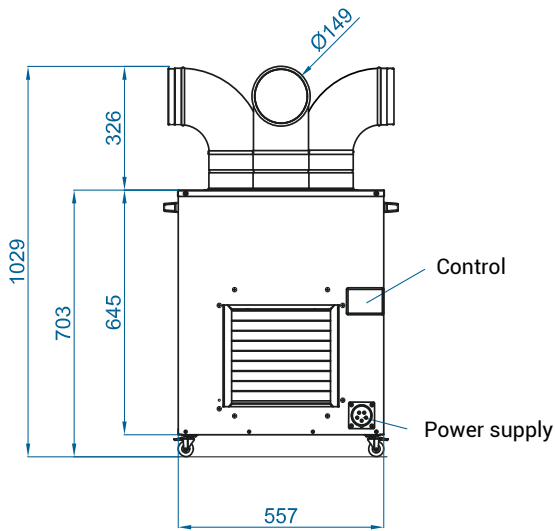
(*) Noise level corresponding to: 50% / 100% of air flow rate.

(**) ΔT: 1st speed at 50% has a temperature difference of 25°C / 36°C.

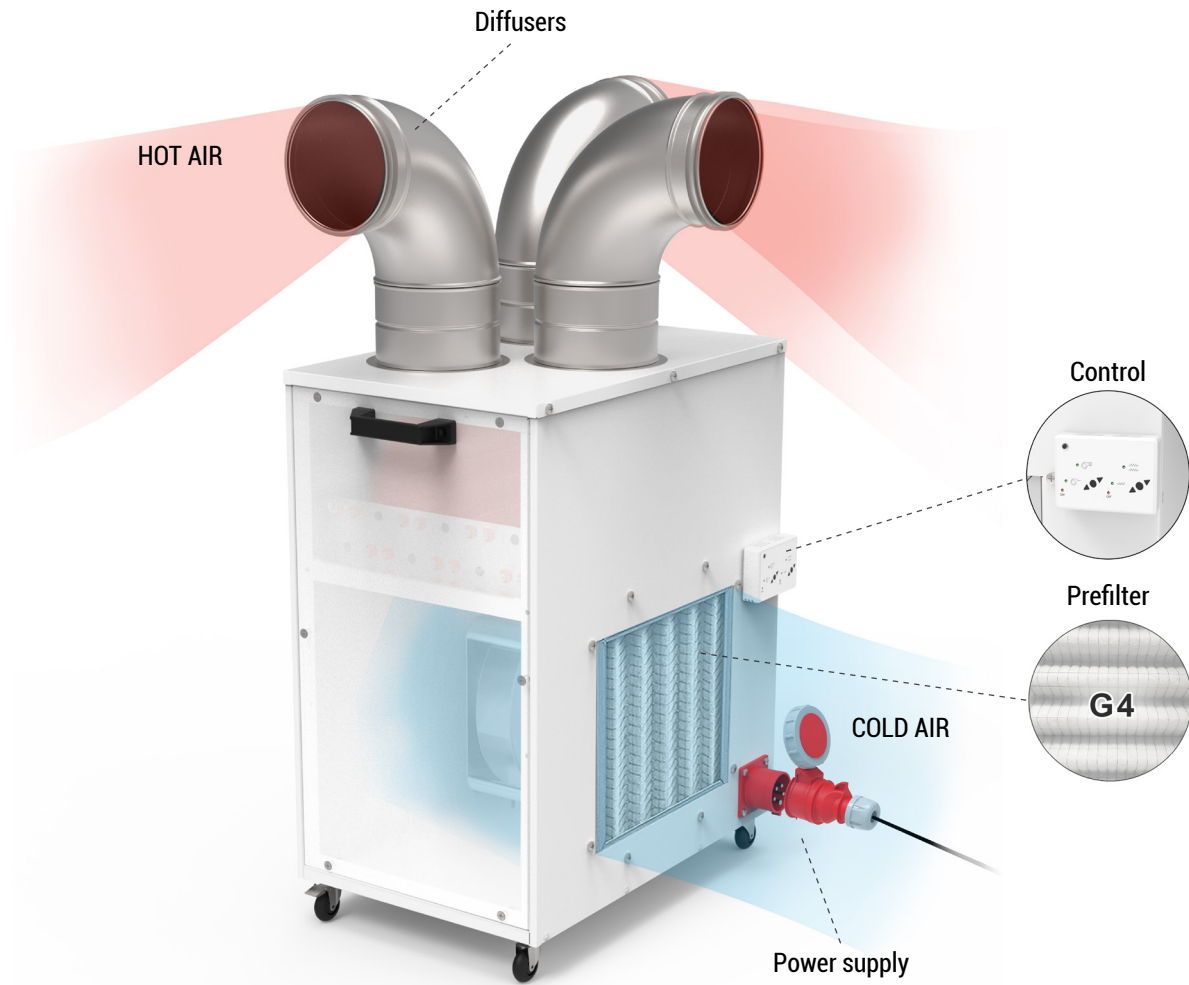
(**) ΔT: 2nd speed at 100% has a temperature difference of 16°C / 25°C.

Dimensions

Metal tube diffusers



Functioning



Accessories

We can offer the diffuser in polyester fabric to maximize the hot air outcoming and the thermostat for temperature regulation.



Fabric Diffuser



Thermostat