



Technical Features



RAL 9016
standard



Other colors
on request



Maximum range
2,8 m



Airflow / Length
1500 - 2900 m³/h
1 m to 2 m



Fan
Tangential
2-speed



Heating type
A : unheated



Heating capacity
-



Control
Switch speed selector



Casing
Galvanised steel



Inlet grille
Micro-perforated
with prefilter function



Outlet lamellas
Aluminium, airfoil type

OPTIMA SWITCH air curtain is ideal for most of the commercial entrances up to 2,8 meters high.

A small compact and low cost air curtain of elegant and friendly design with rounded shape and edges, with physical switch control.

It incorporates tangential fans with low noise twisted profile turbine and 2-speed external rotor motor.

Possibility to connect a door contact and/or an external OFF.

❄ UNHEATED

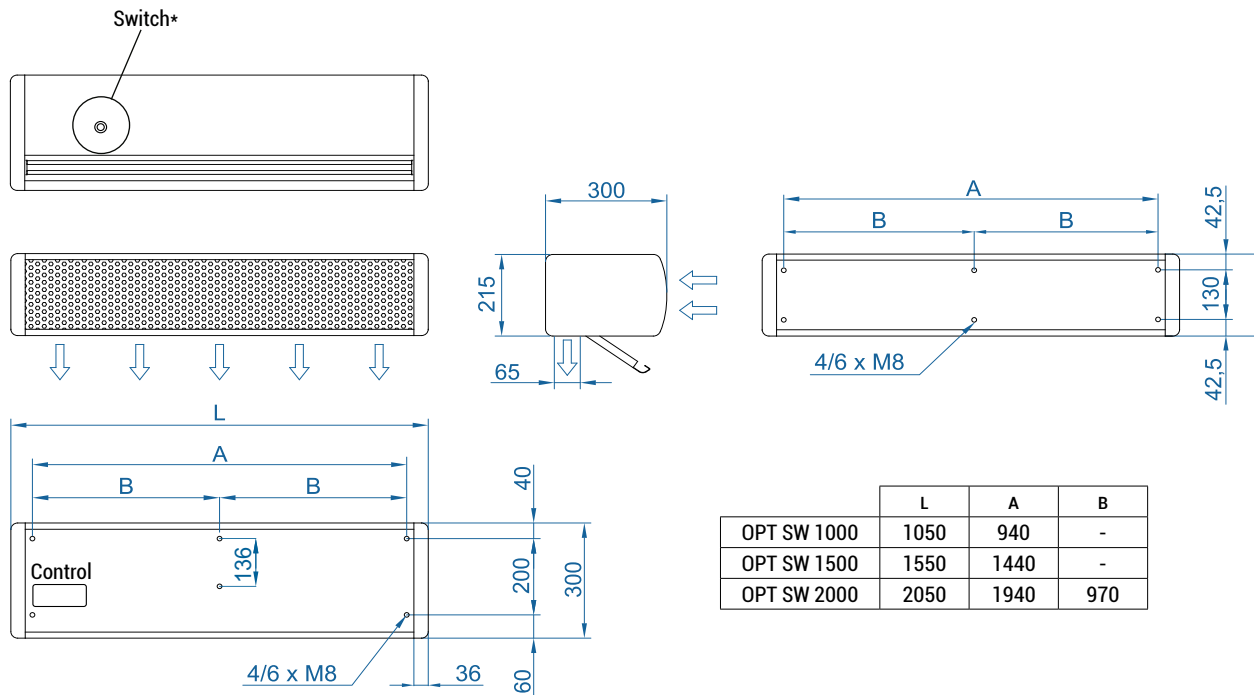
Model	Airflow m³/h	Ventilation power 230V~50Hz W	Ventilation current 230V~50Hz A	Noise level (5 m) dB(A)	Weight kg
OPT SW 1000 A	1500	80	0,41	35/50	17,5
OPT SW 1500 A	2150	117	0,53	36/51	25,5
OPT SW 2000 A	2900	160	0,82	38/53	33



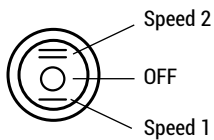
Selection program



Dimensions



Switch*

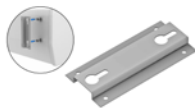


Optional accessories

Supports and installation



Wall rail support
SPWR



Omega wall support
SPT2



Silentblock supports
SPANG-SIL / SLB



Suspension cables
SPCT

Sensors and valves



Mechanical door contact
MEC-DC



Magnetic door contact
MAG-DC

CAD drawings, BIM files, installation
manuals and other documentation

