



Technical Features



- Casing: Black forge (standard)
- Panels: Anodized aluminium (standard)
- Panels: Stainless Steel (optional)
- Other colors and materials on request



Range
Up to 4.2 m



Heating types
E : electrical 3 stages
P : water
A : unheated



Casing
Galvanised Steel [*]



Airflow / Length
2025 - 5930 m³/h
1 m to 2.5 m



Heating capacity
E : 2.5 - 30.5 kW
P : 8.86 - 33.63 kW



Grille type
Micro-perforated with prefilter function



Fans
Centrifugal
5-speed



Control
A, E : Plug&Play Advanced PRO
P : Plug&Play manual regulator + IR remote control



Outlet lamellas
Aluminium, airfoil type
Adjustable 0-15° each side

[*] Customizable dimensions on request

Decorative, minimalist and elegant, ZEN air curtain is it the favorite for architects and designers to include in their projects. Its smart design and high performance is perfect to blend with any building's internal or external aesthetics. Apart from seamlessly integrating into any space, ZEN can become an active part of the decor and ambience of the premises offering more features than a standard air curtain.

ZEN air curtain offers infinite possibilities of customization. Central casing made of galvanized steel finished in black forge as standard. Front anodized aluminium panels, optionally manufactured in brushed or mirror polished stainless steel. Other materials are possible, such as wood, metal, etc.

Other colours are available on request. Special finishes with other materials such as aged metal, wood, glass, PVC / PES, logos, signage, graphics, lights, clocks, vinyl or slogans.

This air curtain model works with double-inlet centrifugal fans driven by an external rotor motor with low noise level. EC models assembled with very low consumption efficiency fans.

"A", "E" type includes Advanced PRO control with LCD display and integrated thermostat, door contact, 23ft / 7m RJ45 cable and remote control.

"P" type includes Plug&Play control with 7 m RJ45 cable, infrared remote control and magnetic door contact. For electrical heated models also thermostat.

Certifications

(¹) AMCA Certified:



Energy Codes ASHRAE 90.1-2019, IECC 2018, and ASHRAE 189.1 vestibule exception validated by AMCA certification. Refer to Velocity Projection Chart below for information.

Airtècnics certifies that the air curtains shown here in are licensed to bear the AMCA Seal. The ratings shown are based on tests and procedures performed in accordance with AMCA Publication 211 and comply with the requirements of the AMCA Certified Ratings Program. Rated data shown is for base (unheated) units. The AMCA Certified Ratings Seal applies to airflow rate, average outlet velocity, outlet velocity uniformity, velocity projection and power rating at free delivery only.



AMCA Certified VELOCITY PROJECTION: Model Zen ECG 1000A-240V 60Hz				
Distance from Nozzle (mm)	1000	2000	3000	4000
Core Velocity (m/s)	6.05	4.65	3.87	3.39
Uniformity (%)	88	92	98	97



0	Core Velocity	Uniformity
1000	6.05m/s	88%
2000	4.65m/s	92%
3000	3.87m/s	98%
4000	3.39m/s	97%

CSA Certified:





✿ UNHEATED 208V-1ph~60Hz

Model	Airflow m ³ /h	Ventilation power 208V-1ph~60Hz kW	Ventilation current 208V-1ph~60Hz A	Outlet Uniformity %	Outlet maximum velocity m/s	Outlet average velocity m/s	Noise level (5 m) dB(A)	Weight kg
ZEN G 1000 A	2100	0.357	1.70	-	-	-	56	36
ZEN G 1500 A	2800	0.476	2.27	-	-	-	57	50
ZEN G 2000 A	4200	0.714	3.41	-	-	-	58	69
ZEN G 2500 A	4900	0.833	3.97	-	-	-	59	83
ZEN ECG 1000 A	2380	0.374	2.84	-	-	-	60	36
ZEN ECG 1500 A	3195	0.494	3.78	-	-	-	61	50
ZEN ECG 2000 A	4760	0.748	5.68	-	-	-	62	69
ZEN ECG 2500 A	5575	0.868	6.62	-	-	-	63	83

✿ UNHEATED 240V-1ph~60Hz

Model	Airflow m ³ /h	Ventilation power 240V-1ph~60Hz kW	Ventilation current 240V-1ph~60Hz A	Outlet Uniformity %	Outlet maximum velocity m/s	Outlet average velocity m/s	Noise level (5 m) dB(A)	Weight kg
ZEN G 1000 A	2235	0.439	1.80	-	-	-	57	36
ZEN G 1500 A	2980	0.585	2.40	-	-	-	58	50
ZEN G 2000 A	4470	0.878	3.60	-	-	-	59	69
ZEN G 2500 A	5215	1.024	4.20	-	-	-	60	83
ZEN ECG 1000 A (¹)	2530	0.460	3.00	80	17.99	14.03	61	36
ZEN ECG 1500 A (¹)	3400	0.607	4.00	72	17.55	13.86	62	50
ZEN ECG 2000 A (¹)	5060	0.920	6.00	80	17.99	14.03	63	69
ZEN ECG 2500 A (¹)	5930	1.067	7.00	75	17.72	13.93	64	83

⚡ ELECTRIC HEATED 208V-1ph~60Hz

Model	Airflow m ³ /h	Electrical heating capacity (²) 208V-3ph~60Hz kW	Electrical heating capacity (²) 460V-3ph~60Hz kW	Electrical heating capacity (²) 480V-3ph~60Hz kW	Electrical heating capacity (²) 575V-3ph~60Hz kW	Ventilation power 208V-1ph~60Hz kW	Ventilation current 208V-1ph~60Hz A	Noise level (5 m) dB(A)	Weight kg
ZEN G 1000 E	2070	2.5/5/7.5	2.5/5/7.5	3/5.5/8.5	3.5/4/7.5	0.357	1.70	56	43
ZEN G 1500 E	2760	3.5/6.5/10	3.5/7/10.5	4/7.5/11.5	5/5.5/10.5	0.476	2.27	57	62
ZEN G 2000 E	4140	5/9/14	5/10.5/15.5	5.5/11/16.5	6.5/8/14.5	0.714	3.41	58	85
ZEN G 2500 E	4830	5.5/9/14.5	6/12/18	6.5/13/19.5	8/9.5/17.5	0.833	3.97	59	103
ZEN ECG 1000 E	2340	4/8/12	4/8/12	4.3/8.7/13	4/8/12	0.374	2.838	60	43
ZEN ECG 1500 E	3140	6/9.5/15.5	5.5/10.5/16	5.8/11.7/17.5	5.5/11/16.5	0.494	3.784	61	62
ZEN ECG 2000 E	4680	5/9/14	8/16.5/24.5	8.8/17.7/26.5	8/16/24	0.748	5.676	62	85
ZEN ECG 2500 E	5480	5.5/9/14.5	9.5/18.5/28	10.2/20.3/30.5	9.5/19/28.5	0.868	6.622	63	103

(¹) AMCA Certified.

(²) Under request other electrical heating power can be limited.

For 208V~3ph~60Hz air Curtains there is only needed to connect three-phase power supply.

For the rest of air curtains, there is needed to connect both three-phase (for electrical heating) and single phase (for fans).



ELECTRIC HEATED 240V-1ph~60Hz

Model	Airflow m3/h	Electrical heating capacity (²)	Electrical heating capacity (²)	Electrical heating capacity (²)	Electrical heating capacity (²)	Ventilation power 240V-1ph ~60Hz	Ventilation current 240V-1ph ~60Hz	Noise level (5 m) dB(A)	Weight kg
		208V-3ph~60Hz kW	460V-3ph~60Hz kW	480V-3ph~60Hz kW	575V-3ph~60Hz kW	kW	A		
ZEN G 1000 E	2205	4/8/12	4/8/12	4.3/8.7/13	4/8/12	0,439	1.80	57	43
ZEN G 1500 E	2940	6/9.5/15.5	5.3/10.7/16	5.8/11.7/17.5	5,5/11/16,5	0,585	2.40	58	62
ZEN G 2000 E	4410	5/9/14	8.2/16.3/24.5	8.8/17.7/26.5	8/16/24	0,878	3.60	59	85
ZEN G 2500 E	5145	5.5/9/14.5	9.3/18.7/28	10.2/20.3/30.5	9.5/19/28.5	1,024	4.20	60	103
ZEN ECG 1000 E (¹)	2490	4/8/12	4/8/12	4.3/8.7/13	4/8/12	0.460	3.00	61	43
ZEN ECG 1500 E (¹)	3340	6/9.5/15.5	5.3/10.7/16	5.8/11.7/17.5	5.5/11/16.5	0.607	4.00	62	62
ZEN ECG 2000 E (¹)	4980	5/9/14	8.2/16.3/24.5	8.8/17.7/26.5	8/16/24	0.920	6.00	63	85
ZEN ECG 2500 E (¹)	5830	5.5/9/14.5	9.3/18.7/28	10.2/20.3/30.5	9.5/19/28.5	1.067	7.00	64	103

(²) Under request other electrical heating power can be limited.

WATER HEATED 208V-1ph~60Hz

Model	Airflow m3/h	P86 (80/60°C)		P64 (60/40°C)		P54 (50/40°C)		Ventilation power 208V-1ph ~60Hz kW	Ventilation current 208V-1ph ~60Hz A	Noise level (5 m) dB(A)	Weight kg
		Water heating capacity kW	Water pressure drop Pa	Water heating capacity kW	Water pressure drop Pa	Water heating capacity kW	Water pressure drop Pa				
ZEN G 1000 P	2025	8.65	210	9.36	5590	9.44	1600	0.278	2.70	56	40
ZEN G 1500 P	2700	15.15	850	13.89	7220	14.63	5060	0.370	3.59	57	57
ZEN G 2000 P	4050	23.57	2440	20.02	6140	20.69	2700	0.555	5.39	58	78
ZEN G 2500 P	4725	29.46	4470	23.88	4560	25.70	4860	0.648	6.29	59	95
ZEN ECG 1000 P	2290	11.34	1290	10.21	6510	10.37	1900	0.374	2.84	60	40
ZEN ECG 1500 P	3080	16.47	990	15.17	8440	16.10	6000	0.494	3.78	61	57
ZEN ECG 2000 P	4580	25.61	2830	21.84	7170	22.76	3200	0.748	5.68	62	78
ZEN ECG 2500 P	5370	32.04	5180	26.10	5330	28.29	5770	0.868	6.62	63	95

Water heated: connection pipes P86 and P64 are 2x G(BSP) 3/4" female (male if lateral pipes), P54 2x G(BSP) 1" male. P86 2 rows coil, P64 3 rows coil, P54 4 rows coil.

WATER HEATED 240V-1ph~60Hz

Model	Airflow m3/h	P86 (80/60°C)		P64 (60/40°C)		P54 (50/40°C)		Ventilation power 240V-1ph ~60Hz kW	Ventilation current 240V-1ph ~60Hz A	Noise level (5 m) dB(A)	Weight kg
		Water heating capacity kW	Water pressure drop Pa	Water heating capacity kW	Water pressure drop Pa	Water heating capacity kW	Water pressure drop Pa				
ZEN G 1000 P	2145	10.86	1190	9.75	6000	9.87	1740	0.681	2.85	57	40
ZEN G 1500 P	2860	15.76	910	14.48	7770	15.30	5490	0.908	3.80	58	57
ZEN G 2000 P	4290	24.51	2620	20.86	6600	21.64	2930	1.363	5.70	59	78
ZEN G 2500 P	5005	30.64	4790	24.90	4910	26.88	5270	1.590	6.65	60	95
ZEN ECG 1000 P (¹)	2440	11.74	1370	10.59	6950	10.80	2040	0.460	3.00	61	40
ZEN ECG 1500 P (¹)	3280	17.09	1050	15.78	9050	16.80	6480	0.607	4.00	62	57
ZEN ECG 2000 P (¹)	4880	26.54	3020	22.70	7670	23.71	3450	0.920	6.00	63	78
ZEN ECG 2500 P (¹)	5720	32.25	5530	27.14	5720	29.51	6220	1.067	7.00	64	95

Water heated: connection pipes P86 and P64 are 2x3/4" female (male if lateral pipes), P54 2x1" male. P86 2 rows coil, P64 3 rows coil, P54 4 rows coil.

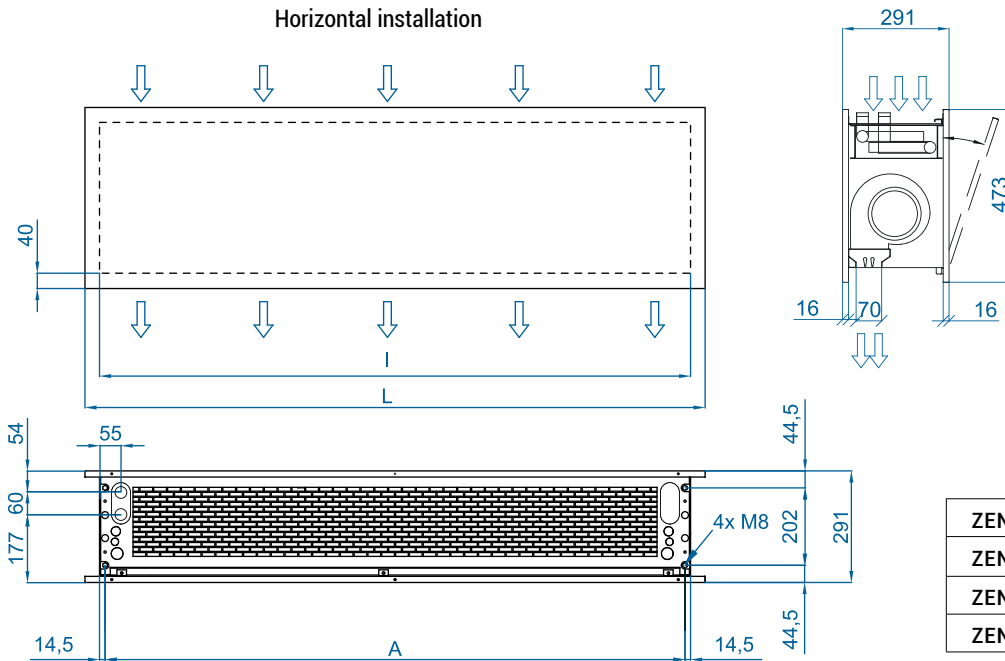
(¹) AMCA Certified.



Selection program

Dimensions

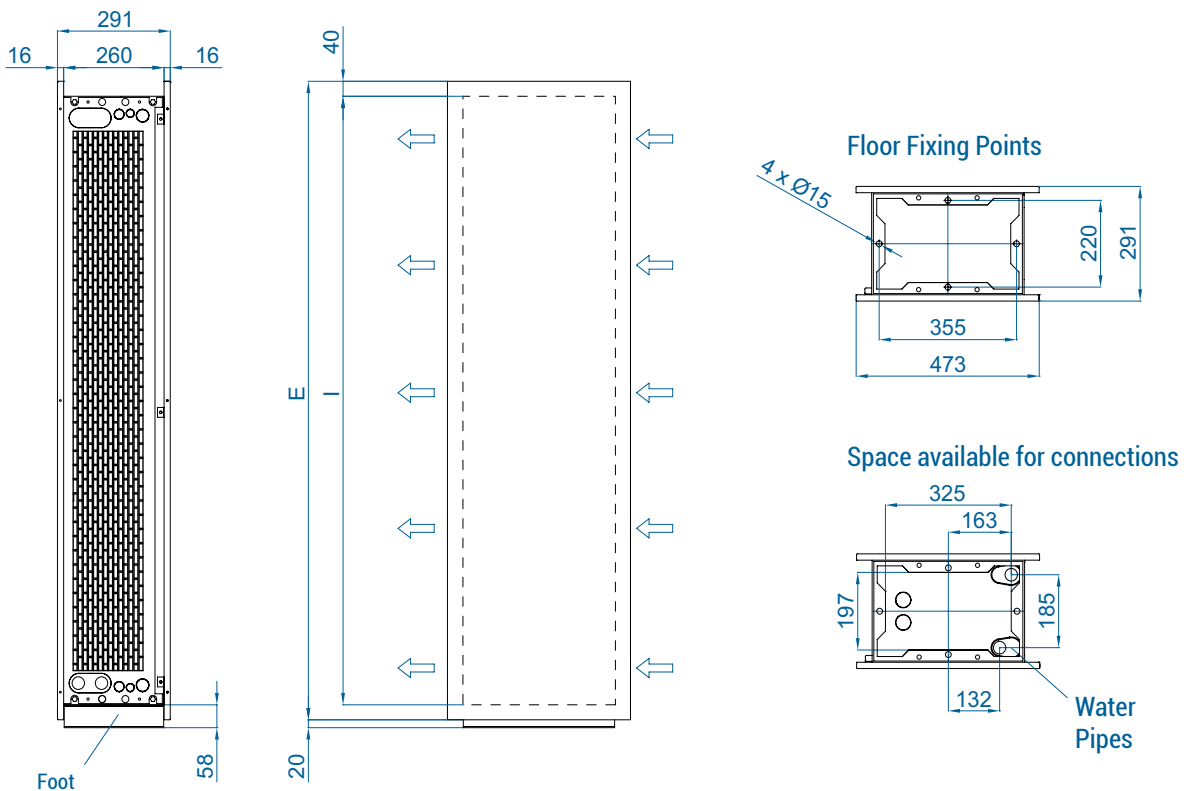
Horizontal installation



	L	I	A
ZEN 1000	1220	1140	1115
ZEN 1500	1620	1544	1515
ZEN 2000	2120	2044	2015
ZEN 2500	2620	2544	2515

Customizable dimensions on request.

Vertical installation



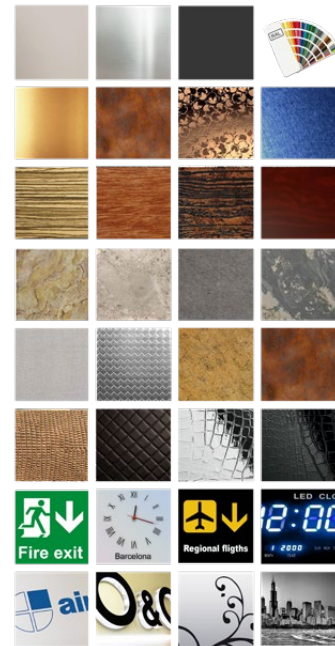
CAD drawings, installation manuals
and other documentation





Finishes

The front panel is designed to include graphics, logos, illuminated signs, signage, clocks or any other decorative element desired by the customer. Available in any colour from the RAL chart or in stainless steel.



standard /
painted

decorative
metals

wood

stone

industrial

leather

signage

logos /
images



WATCH
VIDEO



SEE
FINISHES
CATALOGUE

Optional accessories

Supports and installation



Wall rail support
SPWR



Silentblock supports
SPANG-SIL / SLB



Suspension cables
SPCT



Omega wall support
SPT4



Wall angle support
Zen MG



Kit junction
SPJ-ZEN
middle and top



Support
Zen arm



Foot support
SPF-ZEN
(Galv. / SS)

Control



Advanced Pro
✓ Included "A", "E"



CW-5AW-IR
✓ Included "P"



IR Control
✓ Included



RJ45 Cable
✓ Included

Sensors



Magnetic door contact
MAG-DC
✓ Included



Mechanical door contact
MEG-DC