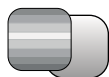




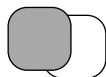
## Technical Features



Faceted / Smooth



Standard RAL 9006 / 9016



SS Brushed / Polished



Other colors on request



Range  
Up to 4,2 m



Heating types  
E : electrical 3 stages  
P : water  
A : unheated



Casing  
Galvanised Steel [\*]



Airflow / Length  
1875 - 7600 m3/h  
1 m to 3 m



Heating capacity  
E : 2,5 - 30,5 kW  
P : 8,83 - 41,07 kW



Grille type  
Micro-perforated  
with prefilter function



Fans  
Centrifugal  
5-speed



Control  
Plug&Play manual regulator  
+ IR remote control



Outlet lamellas  
Aluminium, airfoil type  
Adjustable 0-15° each side

[\*] Customizable dimensions on request

RUND is a cylindrical, elegant and exclusive decorative air curtain. Vertically installed on one or both sides of the door; horizontally above the entrance or encompassing large distances, RUND air curtains integrate seamlessly with the surrounding environment as an architectural column element. Wide range of accessories and configurations available to suit any need that requires the installation. Multiple finishes that make it the decorative solution suitable for any interior design project. Available in two different casing finishes (faceted or completely smooth). Casing painted in RAL 9016 or RAL 9006 as standard. Other colors are available on request.

This air curtain model works with double-inlet centrifugal fans driven by an external rotor motor with low noise level. EC models assembled with very low consumption efficiency fans.

Includes Plug&Play control with 7 m RJ45 cable, infrared remote control and magnetic door contact. For electrical heated models also includes thermostat.

CSA certified.

❄ UNHEATED 208V-1ph~60Hz

Model	Airflow m3/h	Ventilation power	Ventilation current	Noise level (5 m) dB(A)	Weight kg
		208V-1ph~60Hz kW	208V-1ph~60Hz A		
RUND G 1000 A	2325	0,332	1,61	56	46
RUND G 1500 A	3100	0,442	2,14	57	68
RUND G 2000 A	4650	0,663	3,21	58	89
RUND G 2500 A	5425	0,774	3,75	59	98
RUND G 3000 A	6200	0,884	4,28	60	108
RUND ECG 1000 A	2700	0,319	2,79	60	46
RUND ECG 1500 A	3600	0,425	3,72	61	68
RUND ECG 2000 A	5400	0,638	5,58	62	89
RUND ECG 2500 A	6300	0,744	6,51	63	98
RUND ECG 3000 A	7200	0,851	7,44	64	108



UNHEATED 240V-1ph~60Hz

Model	Airflow	Ventilation power 240V-1ph~60Hz	Ventilation current 240V-1ph~60Hz	Noise level (5 m)	Weight
	m3/h	kW	A	dB(A)	kg
RUND G 1000 A	2475	0,395	1,65	57	46
RUND G 1500 A	3300	0,526	2,20	58	68
RUND G 2000 A	4950	0,789	3,30	59	89
RUND G 2500 A	5775	0,921	3,85	60	98
RUND G 3000 A	6600	1,052	4,40	61	108
RUND ECG 1000 A	2850	0,381	2,94	61	46
RUND ECG 1500 A	3800	0,508	3,92	62	68
RUND ECG 2000 A	5700	0,762	5,88	63	89
RUND ECG 2500 A	6650	0,889	6,86	64	98
RUND ECG 3000 A	7600	1,016	7,84	65	108

ELECTRIC HEATED 208V-1ph~60Hz

Model	Airflow m3/h	Electrical heating capacity (*) 208V-3ph~60Hz	Electrical heating capacity (*) 460V-3ph~60Hz	Electrical heating capacity (*) 480V-3ph~60Hz	Electrical heating capacity (*) 575V-3ph~60Hz	Ventilation power 208V-1ph~60Hz	Ventilation current 208V-1ph~60Hz	Noise level (5 m)	Weight
		kW	kW	kW	kW	kW	A	dB(A)	kg
RUND G 1000 E	2250	2,5/5/7,5	2,5/5/7,5	3/5,5/8,5	3,5/4/7,5	0,332	1,61	56	54
RUND G 1500 E	3000	3,5/6,5/10	3,5/7/10,5	4/7,5/11,5	5/5,5/10,5	0,442	2,14	57	81
RUND G 2000 E	4500	5/9/14	5/10,5/15,5	5,5/11/16,5	6,5/8/14,5	0,663	3,21	58	107
RUND G 2500 E	5250	5,5/9/14,5	6/12/18	6,5/13/19,5	8/9,5/17,5	0,774	3,75	59	118
RUND G 3000 E	6000	6,5/8/14,5	6/12/18	6,5/13/19,5	9,5/9,5/19	0,884	4,28	60	128
RUND ECG 1000 E	2700	4/8/12	4/8/12	4,3/8,7/13	4/8/12	0,319	2,79	60	54
RUND ECG 1500 E	3600	6/9,5/15,5	5,5/10,5/16	5,8/11,7/17,5	5,5/11/16,5	0,425	3,72	61	81
RUND ECG 2000 E	5400	5/9/14	8/16,5/24,5	8,8/17,7/26,5	8/16/24	0,638	5,58	62	107
RUND ECG 2500 E	6300	5,5/9/14,5	9,5/18,5/28	10,2/20,3/30,5	9,5/19/28,5	0,744	6,51	63	118
RUND ECG 3000 E	7200	6,5/8/14,5	9,5/18,5/28	10,2/20,3/30,5	9,5/19/28,5	0,851	7,44	64	128

(\*) Under request other electrical heating power can be limited.

For 208V~3ph~60Hz air Curtains there is only needed to connect three-phase power supply.

For the rest of air curtains, there is needed to connect both three-phase (for electrical heating) and single phase (for fans).

ELECTRIC HEATED 240V-1ph~60Hz

Model	Airflow m3/h	Electrical heating capacity (*) 208V-3ph~60Hz	Electrical heating capacity (*) 460V-3ph~60Hz	Electrical heating capacity (*) 480V-3ph~60Hz	Electrical heating capacity (*) 575V-3ph~60Hz	Ventilation power 240V-1ph~60Hz	Ventilation current 240V-1ph~60Hz	Noise level (5 m)	Weight
		kW	kW	kW	kW	kW	A	dB(A)	kg
RUND G 1000 E	2400	4/8/12	4/8/12	4,3/8,7/13	4/8/12	0,395	1,65	57	54
RUND G 1500 E	3200	6/9,5/15,5	5,3/10,7/16	5,8/11,7/17,5	5,5/11/16,5	0,526	2,20	58	81
RUND G 2000 E	4800	5/9/14	8,2/16,3/24,5	8,8/17,7/26,5	8/16/24	0,789	3,30	59	107
RUND G 2500 E	5600	5,5/9/14,5	9,3/18,7/28	10,2/20,3/30,5	9,5/19/28,5	0,921	3,85	60	118
RUND G 3000 E	6400	6,5/8/14,5	9,3/18,7/28	10,2/20,3/30,5	9,5/19/28,5	1,052	4,40	61	128
RUND ECG 1000 E	2775	4/8/12	4/8/12	4,3/8,7/13	4/8/12	0,381	2,94	61	54
RUND ECG 1500 E	3700	6/9,5/15,5	5,3/10,7/16	5,8/11,7/17,5	5,5/11/16,5	0,508	3,92	62	81
RUND ECG 2000 E	5550	5/9/14	8,2/16,3/24,5	8,8/17,7/26,5	8/16/24	0,762	5,88	63	107
RUND ECG 2500 E	6475	5,5/9/14,5	9,3/18,7/28	10,2/20,3/30,5	9,5/19/28,5	0,889	6,86	64	118
RUND ECG 3000 E	7400	6,5/8/14,5	9,3/18,7/28	10,2/20,3/30,5	9,5/19/28,5	1,016	7,84	65	128

(\*) Under request other electrical heating power can be limited.



WATER HEATED 208V-1ph~60Hz

Model	Airflow m3/h	P86 (80/60°C)		P64 (60/40°C)		P54 (50/40°C)		Ventilation power (*) kW	Ventilation current (*) A	Noise level (5 m) dB(A)	Weight kg
		Water heating capacity kW	Water pressure drop Pa	Water heating capacity kW	Water pressure drop Pa	Water heating capacity kW	Water pressure drop Pa				
		RUND G 1000 P	1875	9,89	1010	8,83	5040				
RUND G 1500 P	2500	14,3	770	13,08	6490	13,7	4510	0,442	2,14	57	77
RUND G 2000 P	3750	22,29	2210	18,86	5530	19,4	2410	0,663	3,21	58	100
RUND G 2500 P	4375	27,84	4040	22,48	4100	24,07	4330	0,774	3,75	59	109
RUND G 3000 P	5000	33,33	6620	27,1	6800	28,44	5690	0,884	4,28	60	119
RUND ECG 1000 P	2550	11,89	1400	10,73	7110	10,95	2090	0,320	2,86	60	52
RUND ECG 1500 P	3400	17,29	1070	15,97	9240	17,02	6630	0,427	3,81	61	77
RUND ECG 2000 P	5100	26,87	3080	22,99	7850	24,05	3530	0,640	5,72	62	100
RUND ECG 2500 P	5950	33,64	5650	27,48	5840	29,9	6370	0,747	6,67	63	109
RUND ECG 3000 P	6800	40,35	9300	33,16	9720	35,40	8400	0,854	7,63	64	119

Water heated: connection pipes P86 and P64 are 2x3/4" female (male if lateral pipes), P54 2x1" male.

P86 2 rows coil, P64 3 rows coil, P54 4 rows coil.

(\*) Voltage 208-1ph~60Hz

WATER HEATED 240V-1ph~60Hz

Model	Airflow m3/h	P86 (80/60°C)		P64 (60/40°C)		P54 (50/40°C)		Ventilation power (*) kW	Ventilation current (*) A	Noise level (5 m) dB(A)	Weight kg
		Water heating capacity kW	Water pressure drop Pa	Water heating capacity kW	Water pressure drop Pa	Water heating capacity kW	Water pressure drop Pa				
		RUND G 1000 P	2250	11,04	1230	9,92	6190				
RUND G 1500 P	3000	16,02	940	14,74	8020	15,60	5680	0,526	2,20	58	77
RUND G 2000 P	4500	24,92	2700	21,23	6820	22,06	3030	0,789	3,30	59	100
RUND G 2500 P	5250	31,17	4940	25,35	5070	27,41	5450	0,921	3,85	60	109
RUND G 3000 P	6000	37,36	8110	30,58	8420	32,42	7190	1,052	4,40	61	119
RUND ECG 1000 P	2625	12,09	1450	10,92	7340	11,17	2160	0,381	2,94	61	52
RUND ECG 1500 P	3500	17,59	1110	16,27	9550	17,36	3500	0,508	3,92	62	77
RUND ECG 2000 P	5250	27,34	3180	23,42	8110	24,53	3660	0,762	5,88	63	100
RUND ECG 2500 P	6125	34,23	5830	27,99	6040	30,51	6600	0,889	6,86	64	109
RUND ECG 3000 P	7000	41,07	9590	33,79	10040	36,12	8710	1,016	7,84	65	119

Water heated: connection pipes P86 and P64 are 2x3/4" female (male if lateral pipes), P54 2x1" male.

P86 2 rows coil, P64 3 rows coil, P54 4 rows coil.

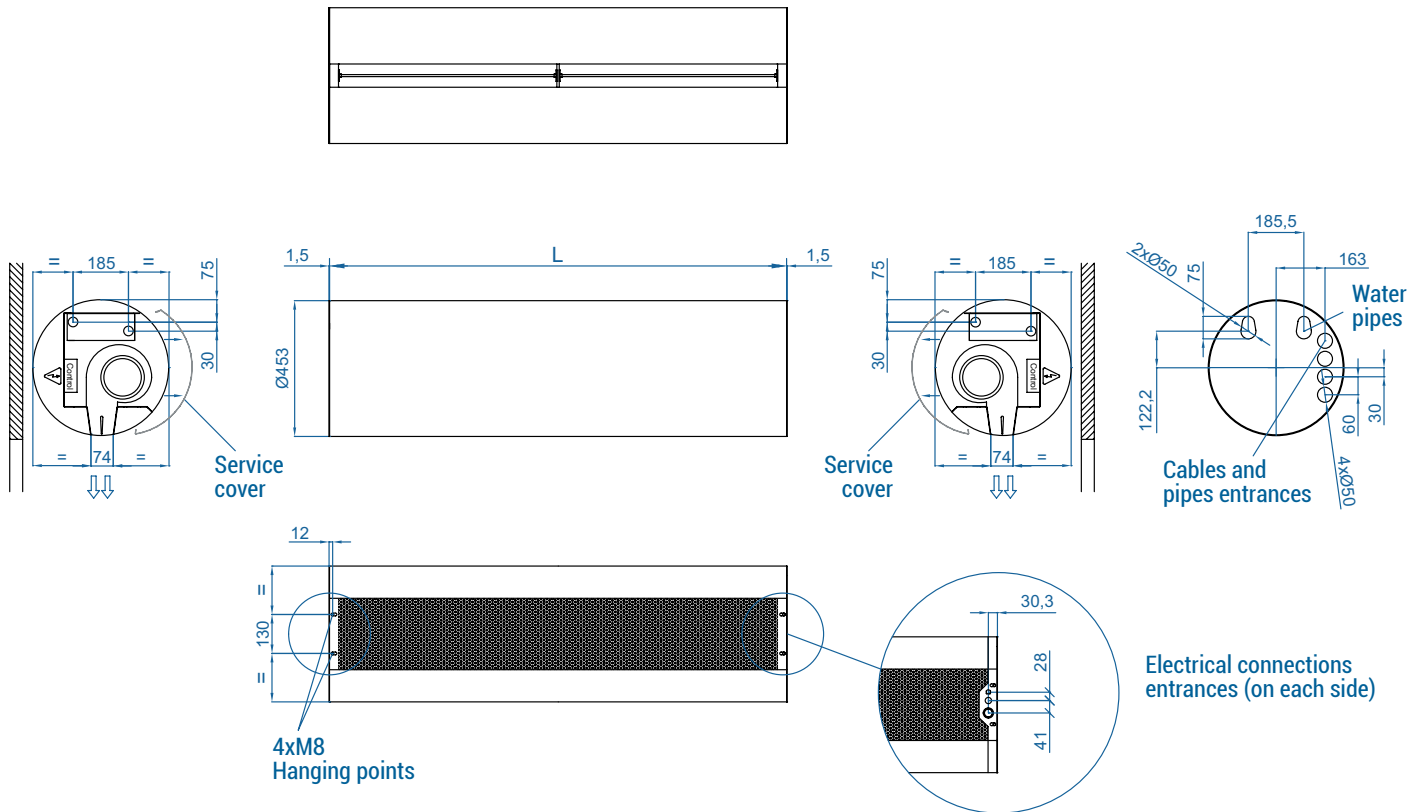
(\*) Voltage 240-1ph~60Hz



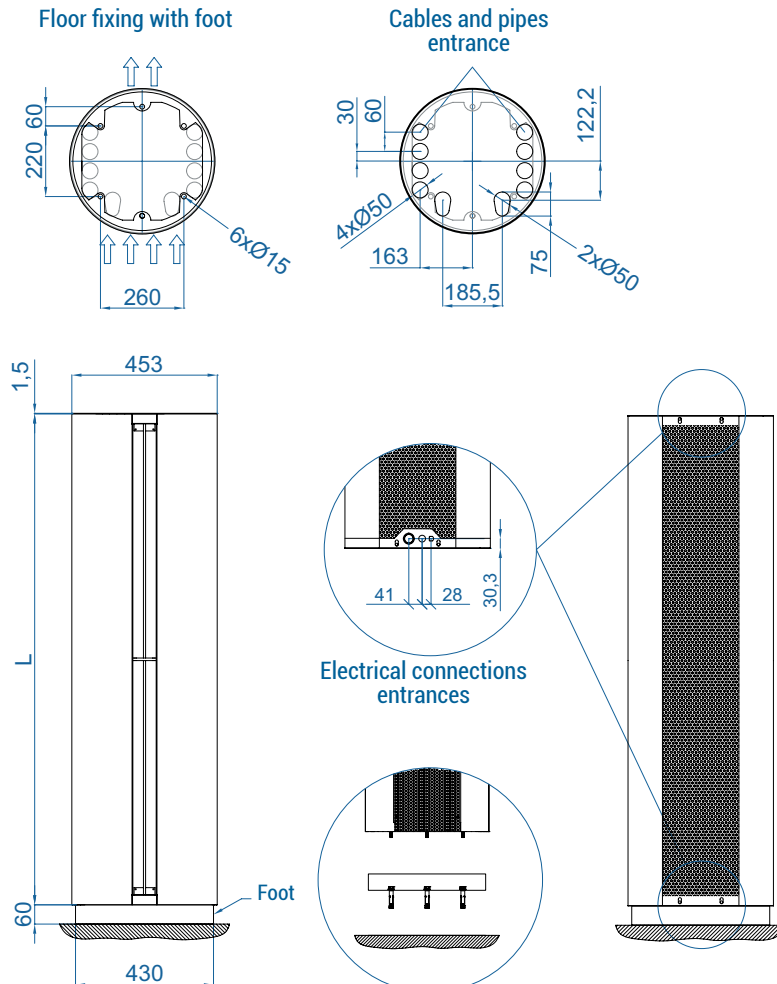
Selection program

## Dimensions

### Horizontal installation



### Vertical installation



	L
RUND 1000	1025
RUND 1500	1525
RUND 2000	2030
RUND 2500	2530
RUND 3000	2980

Customizable dimensions on request.

CAD drawings, installation manuals  
and other documentation



## Installation configurations



Ceiling fixation through threaded rods



Wall/ceiling fixation through angle supports



Wall/ceiling fixation through arms



Wall fixation through lateral arms



Floor fixation (goalpost)

## Optional accessories

### Supports and installation



Wall rail support  
SPWR



Silentblock supports  
SPANG-SIL / SLB



Suspension cables  
SPCT



180° straight arm  
Rund



Round arm  
Rund



Kit junction Rund  
ceiling / wall



Side bracket Rund  
ceiling / wall



Foot support  
SPF-Rund  
(Galv. / SS)

### Control



IR Control  
✓ Included



Basic Control  
✓ Included



RJ45 Cable  
✓ Included



Hand-Auto  
CH-5HW-NE



Interface kit  
IN-NE-II

### Sensors



Magnetic door contact  
MAG-DC  
✓ Included



Mechanical door contact  
MEG-DC