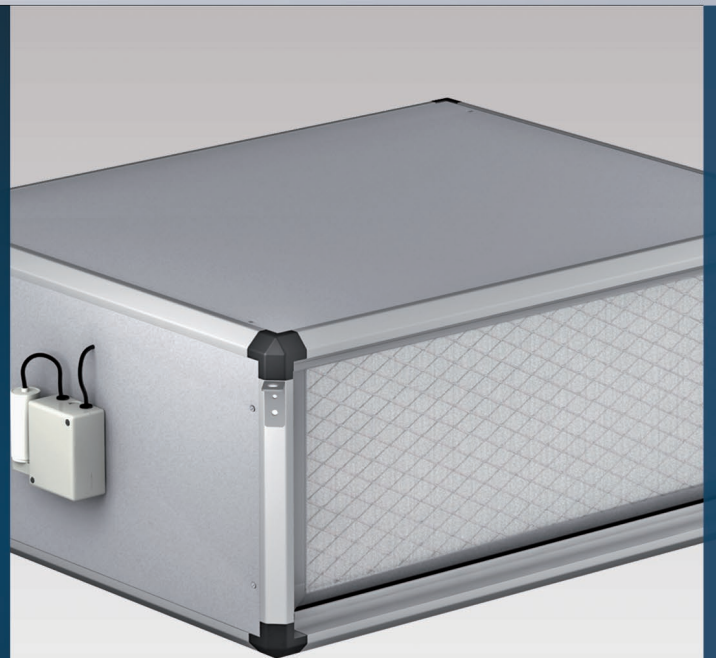


airtècnics

Airbox[®] IDA

*Ventilation boxes with
filtration stages*



**ENERGY SAVING
TECHNOLOGIES**



airtèc

Airbox IDA

General Description

A complete range of low profile ventilation units equipped with centrifugal fans with external rotor motor and different filtration stages, to meet the indoor air quality requirements of the Building Thermal Regulations (RITE - IT 1.1.4.2 Requirement of Indoor air quality).

Technical instruction 1.1.4.2.2 establishes the minimum required categories of indoor air quality (IDA) depending on the use of the buildings:

IDA1 (air of optimum quality): hospitals, clinics, laboratories and nurseries.

IDA2 (good quality air): offices, residences (common hotel and similar premises, nursing homes and student dormitories), reading rooms, museums, courtrooms, teaching and assimilable classrooms and swimming pools.

IDA3 (medium quality air): commercial buildings, cinemas, theaters, auditoriums, hotel rooms and similar, restaurants, cafeterias, bars, party halls, gyms, sports venues (except swimming pools) and computer rooms.

IDA4 (low quality air)

Characteristics

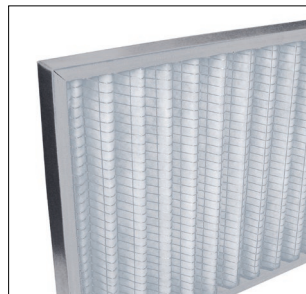
Variable flow centrifugal fans equipped with external rotor motor protected by thermocontact. 100% adjustable in voltage by means of electronic regulation or transformers.

High efficiency compact filters F6, F7, F8 and F9; Made of fiberglass paper, steel frame galvanized and separating cords of thermoplastic glue.



High efficiency radial turbines statically and dynamically balanced according to ISO1940 standard.

Extremely silent and free of vibrations.

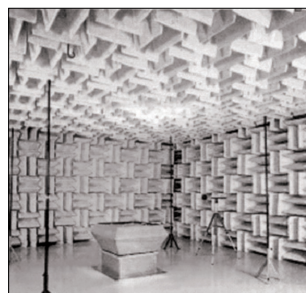


G4 flat filters made with zig-zag folded synthetic fabric, and galvanized steel frame with a metal grille on both sides.

The filter service is performed by removing the lower panel of the unit.

Casing built in aluminum profiles extruded, joined by high plastic corners impact resistance and sandwich panels with 20 mm of thermal and acoustic high density fiberglass insulation

The sound levels indicated on the characteristic panels correspond to noise level pressure in ponder "A", taken at a distance of 1,5 meters with the suction and discharge connected to the duct.



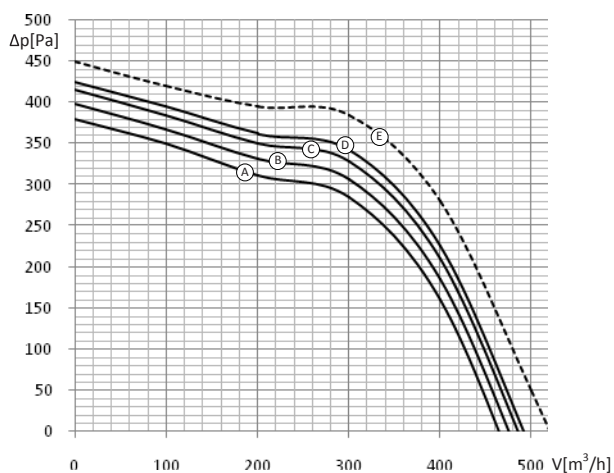
AIRBOX Z10-15 IDA

Specifications



- Ventilation units for areas of category IDA 1, 2, 3 and 4 according to RITE
- Casing made of extruded aluminium
- Panels made of galvanized steel with internat insulation 25 mm thick
- Centrifugal fans of high performance with external rotor motor protected through thermal contact
- 2 stages of compact filters G4, F6, F7, F8 or F9 according IDA category
- 100% regulable flow with electronic regulation or transformers
- Special units on request

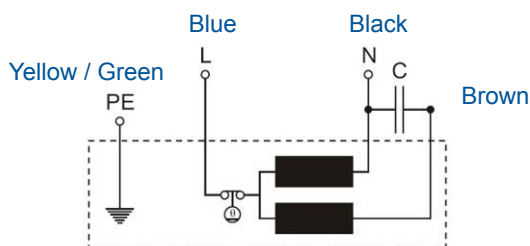
Technical Data



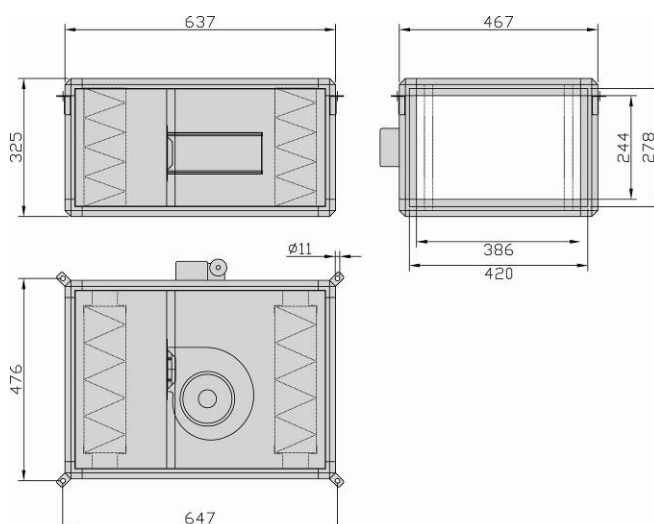
AIRBOX Z10-15			
U	230V(50Hz)	ΔP_{fa min}	0 Pa
P₁	176 Wa	ΔI	-%
I_N	0,78	I_A/I_N	1,83
n	2050 rpm	IP	IP54
C_{400V}	4 μF	dB	44
t_R	-20°C/+50°C	W	27 Kg

Curve	Category	Filters	Ref.
A	IDA 1	F7+F9	AIRBOX Z10-15 IDA1
B	IDA 2	F6+F8	AIRBOX Z10-15 IDA2
C	IDA 3	F6+F7	AIRBOX Z10-15 IDA3
D	IDA 4	G4+F6	AIRBOX Z10-15 IDA4
E	Without Filters		

Electrical Connections



Dimensions



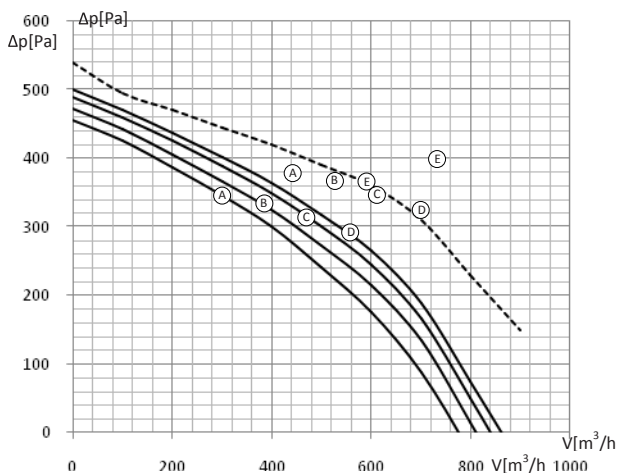
AIRBOX L23-A6 IDA

Specifications



- Ventilation units for areas of category IDA 1, 2, 3 and 4 according to RITE
- Casing made of extruded aluminium
- Panels made of galvanized steel with internat insulation 25 mm thick
- Centrifugal fans of high performance with external rotor motor protected through thermal contact
- 2 stages of compact filters G4, F6, F7, F8 or F9 according IDA category
- 100% regulable flow with electronic regulation or transformers
- Special units on request

Technical Data

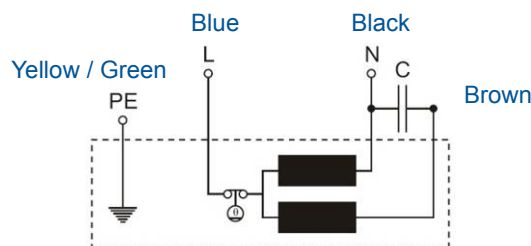


AIRBOX L23-A6

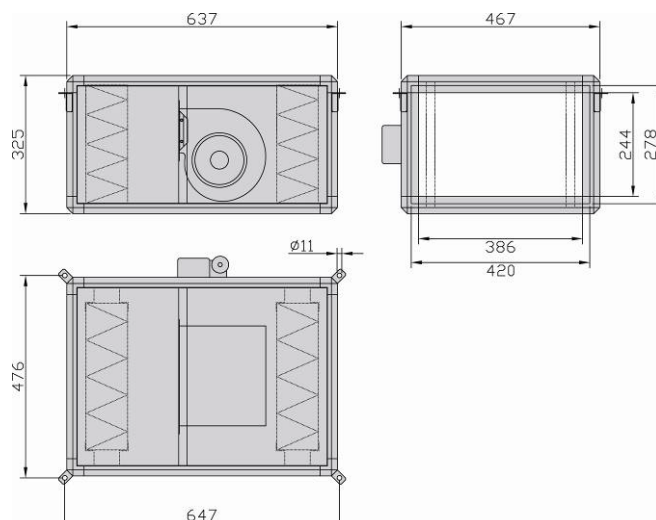
U	230V(50Hz)	ΔP_{fa min}	0 Pa
P₁	234 Wa	ΔI	-%
I_N	1,02	I_A/I_N	-
n	1905 rpm	IP	IP44
C_{400V}	4 μF	dB	54
t_R	-20°C/+50°C	W	30 Kg

Curve	Category	Filters	Ref.
A	IDA 1	F7+F9	AIRBOX L23-A6 IDA1
B	IDA 2	F6+F8	AIRBOX L23-A6 IDA2
C	IDA 3	F6+F7	AIRBOX L23-A6 IDA3
D	IDA 4	G4+F6	AIRBOX L23-A6 IDA4
E	Without Filters		

Electrical Connections



Dimensions



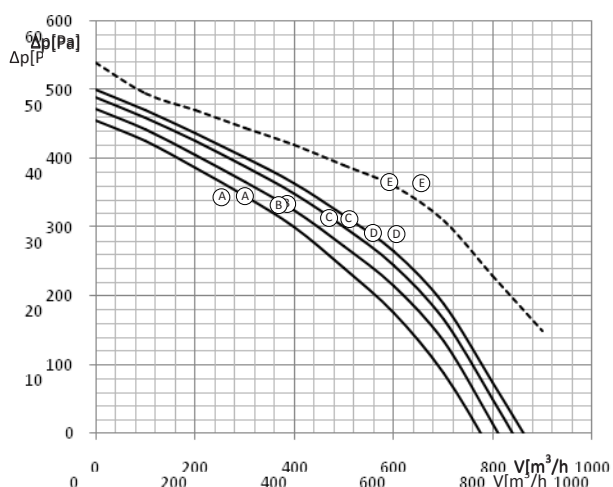
AIRBOX EC N46-A0 IDA

Specifications



- Ventilation units for areas of category IDA 1, 2, 3 and 4 according to RITE
- Casing made of extruded aluminium
- Panels made of galvanized steel with internat insulation 25 mm thick
- Centrifugal fans of high performance with external rotor motor protected through thermal contact
- 2 stages of compact filters G4, F6, F7, F8 or F9 according IDA category
- 100% regulable flow with electronic regulation or transformers
- Special units on request

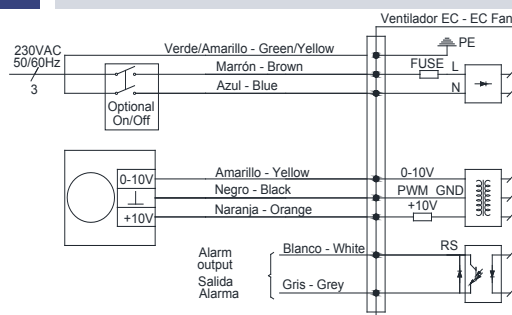
Technical Data



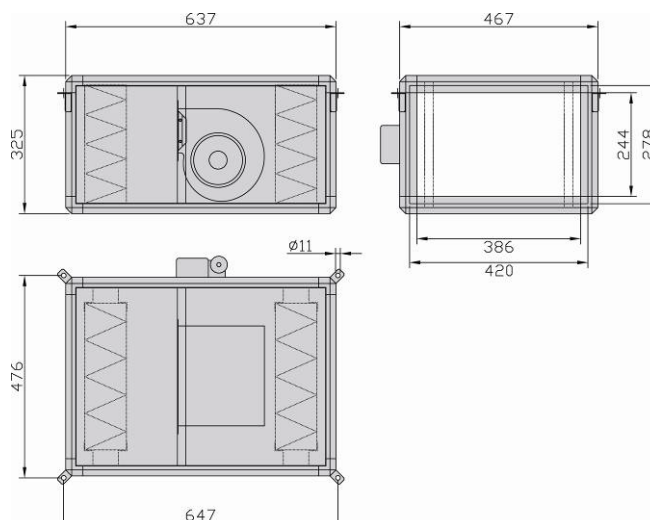
AIRBOX N46-A0			
U	230V(50Hz)	ΔP_{fa min}	0 Pa
P₁	98 Wa	ΔI	-%
I_N	0,86	I_A/I_N	-
n	1230 rpm	IP	IP54
C_{400V}	-	dB	45
t_R	-20°C/+50°C	W	33 Kg

Curve	Category	Filters	Ref.
A	IDA 1	F7+F9	AIRBOX N46-A0 IDA1
B	IDA 2	F6+F8	AIRBOX N46-A0 IDA2
C	IDA 3	F6+F7	AIRBOX N46-A0 IDA3
D	IDA 4	G4+F6	AIRBOX N46-A0 IDA4
E	Without Filters		

Electrical Connections



Dimensions



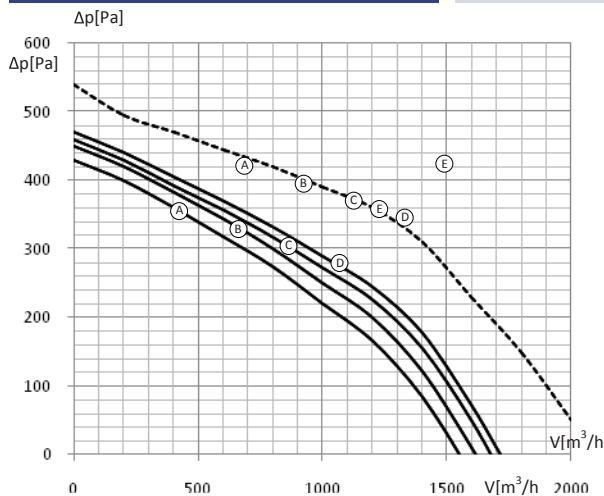
AIRBOX 2xL23-A6 IDA

Specifications



- Ventilation units for areas of category IDA 1, 2, 3 and 4 according to RITE
- Casing made of extruded aluminium
- Panels made of galvanized steel with internat insulation 25 mm thick
- Centrifugal fans of high performance with external rotor motor protected through thermal contact
- 2 stages of compact filters G4, F6, F7, F8 or F9 according IDA category
- 100% regulable flow with electronic regulation or transformers
- Special units on request

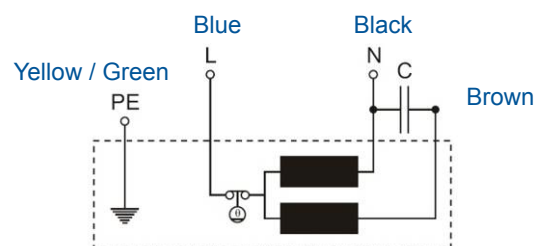
Technical Data



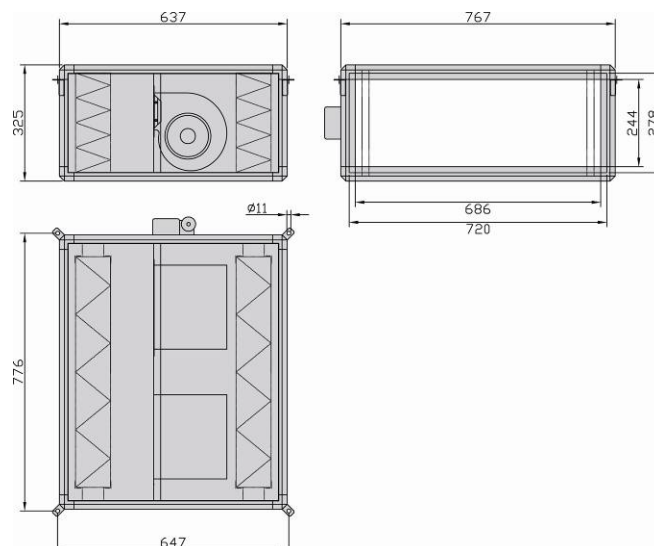
AIRBOX 2xL23-A6			
U	230V(50Hz)	$\Delta P_{fa \text{ min}}$	0 Pa
P_1	468 Wa	ΔI	-%
I_N	2,04	I_A/I_N	-
n	1905 rpm	IP	IP44
C_{400V}	8 μF	dB	54
t_R	-20°C/+50°C	W	49 Kg

Curve	Category	Filters	Ref.
A	IDA 1	F7+F9	AIRBOX 2xL23-A6 IDA1
B	IDA 2	F6+F8	AIRBOX 2xL23-A6 IDA2
C	IDA 3	F6+F7	AIRBOX 2xL23-A6 IDA3
D	IDA 4	G4+F6	AIRBOX 2xL23-A6 IDA4
E	Without Filters		

Electrical Connections



Dimensions



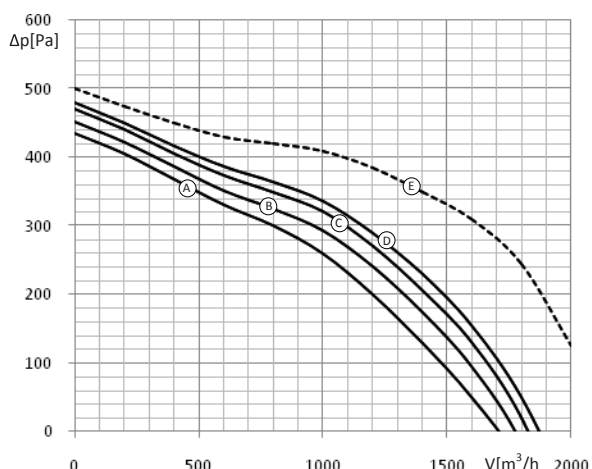
AIRBOX EC 2xN46-A0

Specifications



- Ventilation units for areas of category IDA 1, 2, 3 and 4 according to RITE
- Casing made of extruded aluminium
- Panels made of galvanized steel with internat insulation 25 mm thick
- Centrifugal fans of high performance with external rotor motor protected through thermal contact
- 2 stages of compact filters G4, F6, F7, F8 or F9 according IDA category
- 100% regulable flow with electronic regulation or transformers
- Special units on request

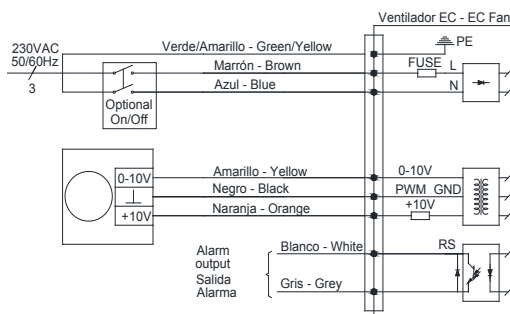
Technical Data



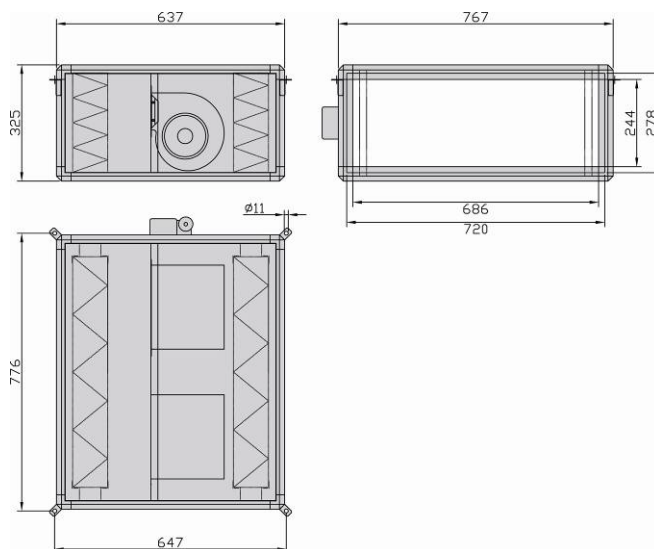
AIRBOX 2xN46-A0			
U	230V(50Hz)	ΔP_{fa min}	0 Pa
P₁	196 Wa	ΔI	-%
I_N	1,72	I_A/I_N	-
n	1230 rpm	IP	IP44
C_{400V}	-	dB	54
t_R	-20°C/+50°C	W	53 Kg

Curve	Category	Filters	Ref.
A	IDA 1	F7+F9	AIRBOX 2xN46-A0 IDA1
B	IDA 2	F6+F8	AIRBOX 2xN46-A0 IDA2
C	IDA 3	F6+F7	AIRBOX 2xN46-A0 IDA3
D	IDA 4	G4+F6	AIRBOX 2xN46-A0 IDA4
E	Without Filters		

Electrical Connections



Dimensions





Conca de Barberà, 6 - Pol. Ind. Pla de la Bruguera
E-08211 CASTELLAR DEL VALLÈS (Barcelona) Spain
Tel. + 34 93 715 99 88 - Fax. + 34 93 715 99 89
airtecnics@airtecnics.com www.airtecnics.com

