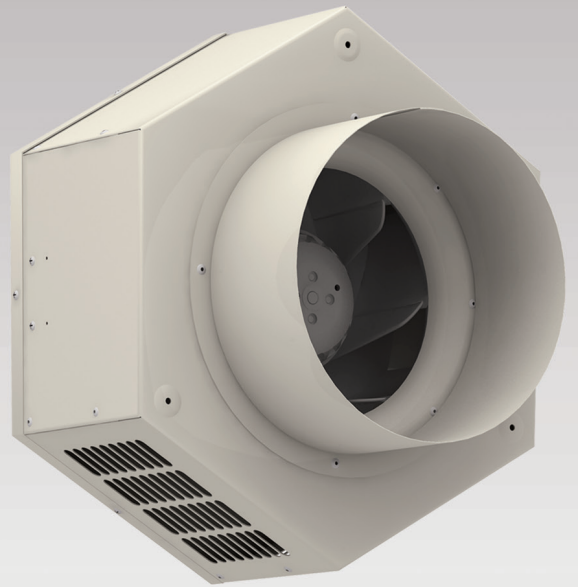


airtècnics

AWL®

End of way extractors



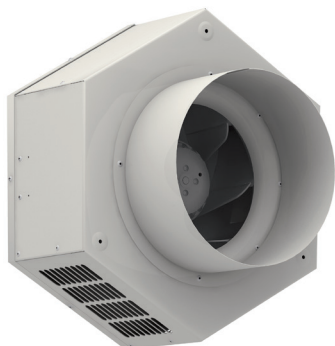
**ENERGY SAVING
TECHNOLOGIES**



airtèc

AWL | END OF WAY EXTRACTOR IN LINE FAN

Characteristics

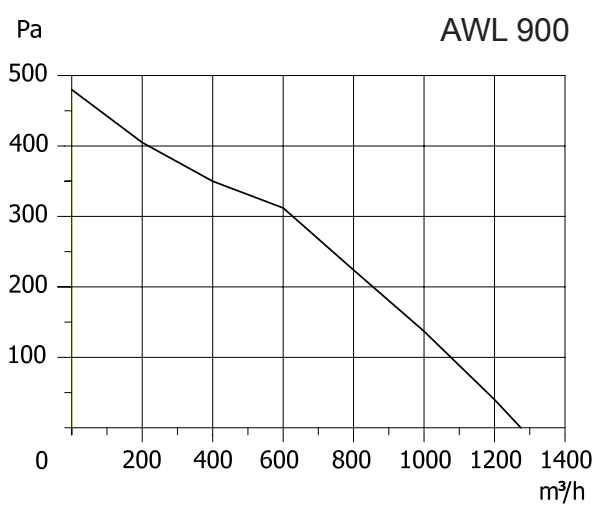
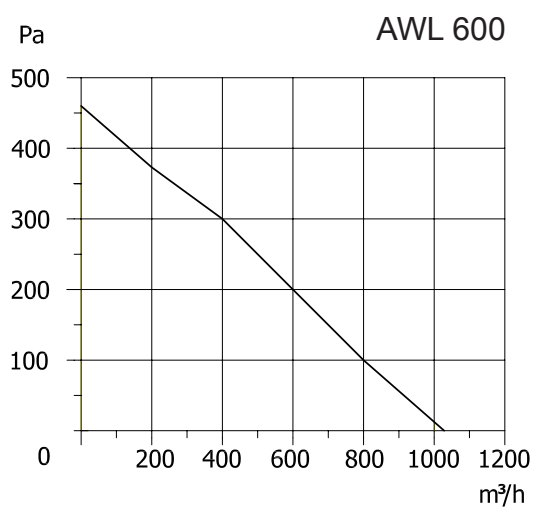


- Zinc plated steel casing painted RAL 7032.
- Suitable to work in the open air
- High performance forward fans equipped with external rotor motor
- Speed controllable 0-100%
- Very low noise level
- Ideal for kitchen extractions through wall

Technical Data

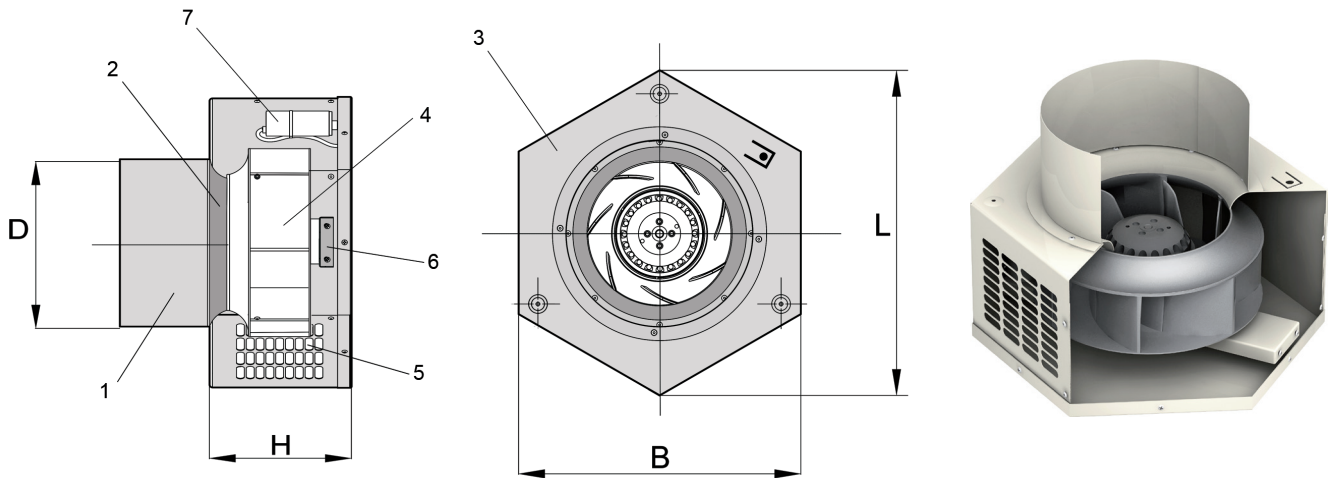
Model	Intensity	Power	Speed	Airflow	Max. Pressure
	A	W	rpm	m ³ /h	ΔPa
AWL 600	0,50	97	2630	1000	460
AWL 900	0,69	158	2535	1300	480

Performance Curves



AWL | END OF WAY EXTRACTOR IN LINE FAN

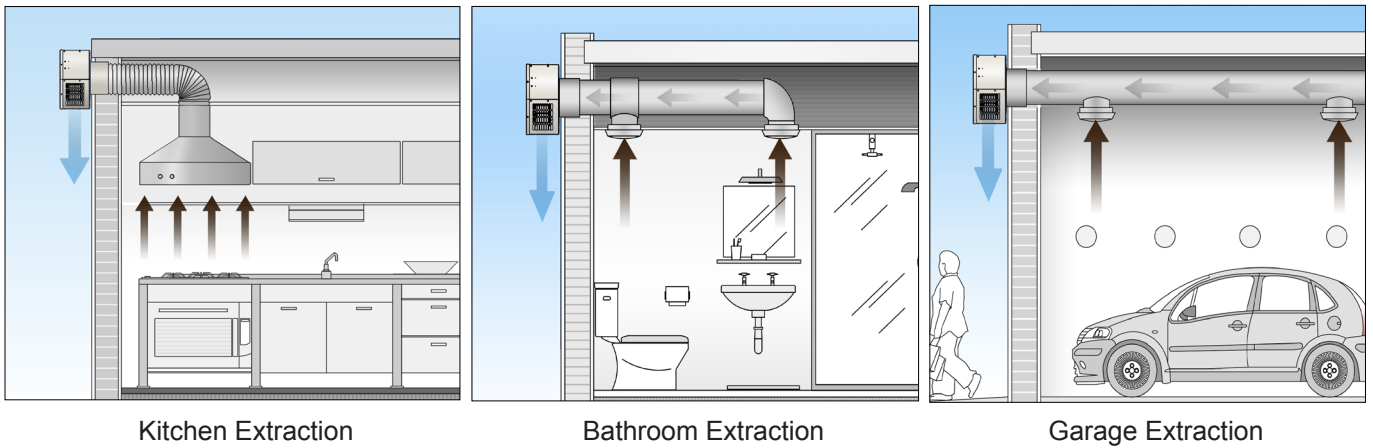
Dimensions



- 1 - End Coupling
- 2 - IL Aspiration
- 3 - Cover
- 4 - Turbine
- 5 - Discharge
- 6 - Holding
- 7 - Condenser

	B	L	H	D
AWL 600	300	346,4	150	150
AWL 900	300	346,4	150	200

Applications Examples



Kitchen Extraction

Bathroom Extraction

Garage Extraction



Conca de Barberà, 6 - Pol. Ind. Pla de la Bruguera
E-08211 CASTELLAR DEL VALLÈS (Barcelona) Spain
Tel. + 34 93 715 99 88 - Fax. + 34 93 715 99 89
airtecnics@airtecnics.com www.airtecnics.com

