

airtècnics

Kanalbox[®]

*Ventilation units
with variable airflow*



ENERGY SAVING
TECHNOLOGIES



airtèc

Kanalbox® Ventilation Units

General Description

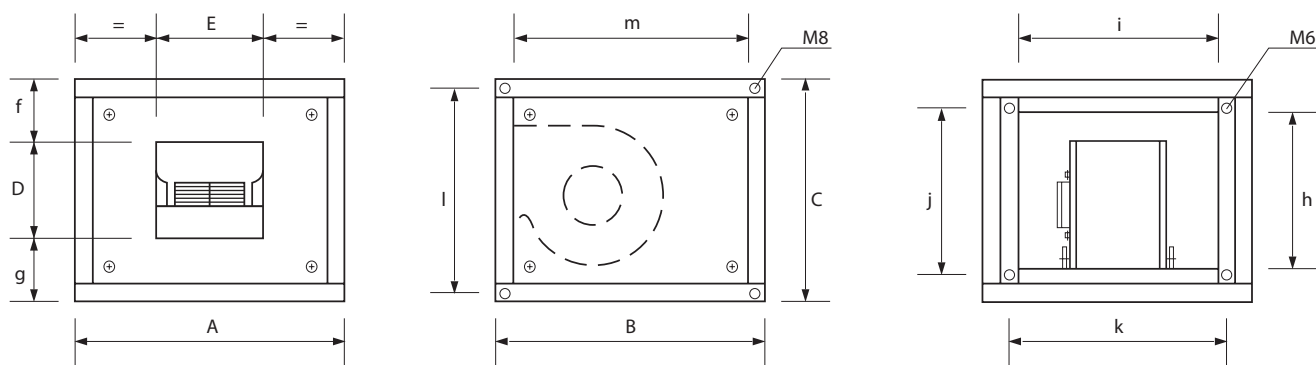
A complete range of 5 boxes with low pressure centrifugal fans with directly coupled motor.
 Available with conventional motor, 100% adjustable in speed.
 Constructed with aluminum profiles and galvanized steel sheet panels.
 Interior insulation of glass fibers, 25mm thick, class M0 (non-flammable), of great sound absorption.
 Easy access to the fan through two large side service doors.
 With 8 anchor points with M8 thread, for suspended or ground fixing.

Specifications



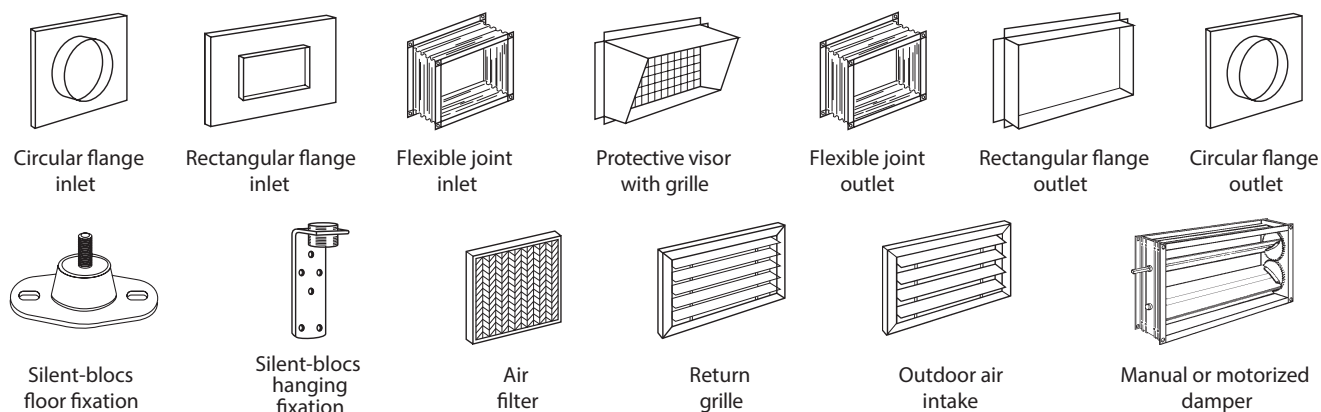
Model	Tension V (50 Hz)	Intensity A	Power kW	Speed rpm	Airflow m ³ /h	Max. Pressure ΔPa
KANALBOX 43-7/74	1x230V	1,5	0,15	1300	1500	250
KANALBOX 43-7/76	1x230V	1	0,08	860	1400	100
KANALBOX 54-9/94	1x230V	3,8	0,37	1350	3100	300
KANALBOX 54-9/96	1x230V	2	0,25	900	2700	160
KANALBOX 64-10/104	1x230V	5	0,55	1350	4000	470
KANALBOX 64-10/106	1x230V	3	0,37	890	4000	230
KANALBOX 77-12/126	1x230V	6,6	0,75	840	5500	270
KANALBOX 77-12/126D	3x400V	3,52	1,1	960	7500	270

Dimensions



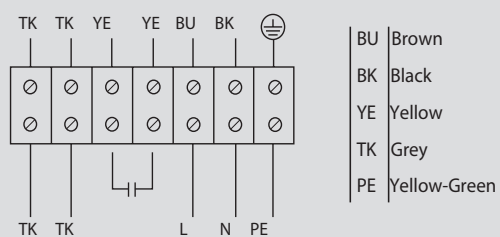
Model	A	B	C	D	E	f	g	h	i	j	k	l	m
Kanalbox 7/7	500	450	450	201	224	86	163	360	405	380	420	424	423
Kanalbox 9/9	600	550	545	248	294	115	182	455	505	475	520	519	523
Kanalbox 10/10	650	600	600	281	322	109	210	510	555	530	570	574	573
Kanalbox 12/12	750	650	650	330	387	87	233	560	655	580	670	624	623

Accessories

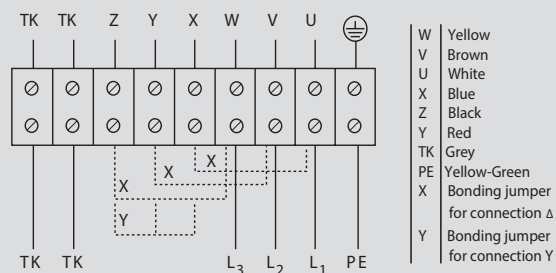


Connections

02.001

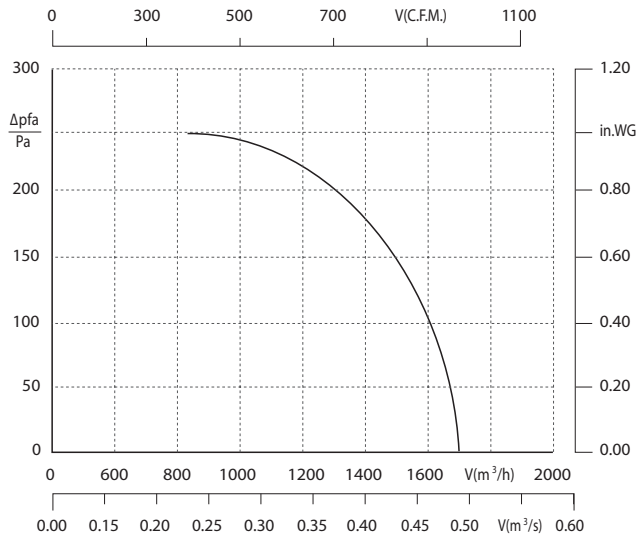


02.012

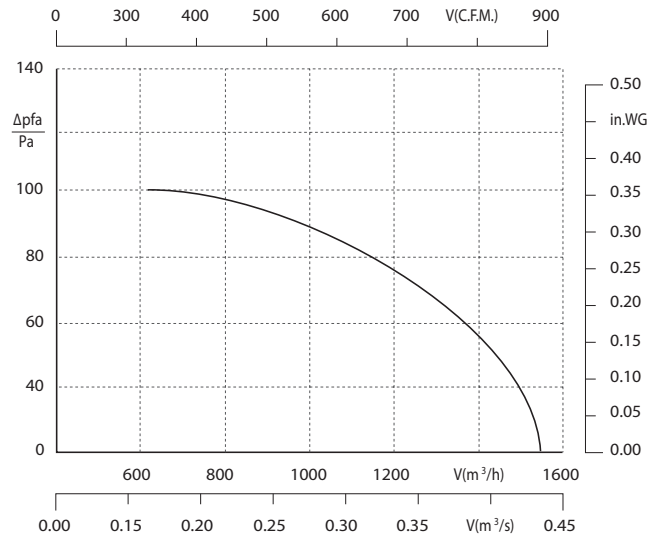


Performance Curves

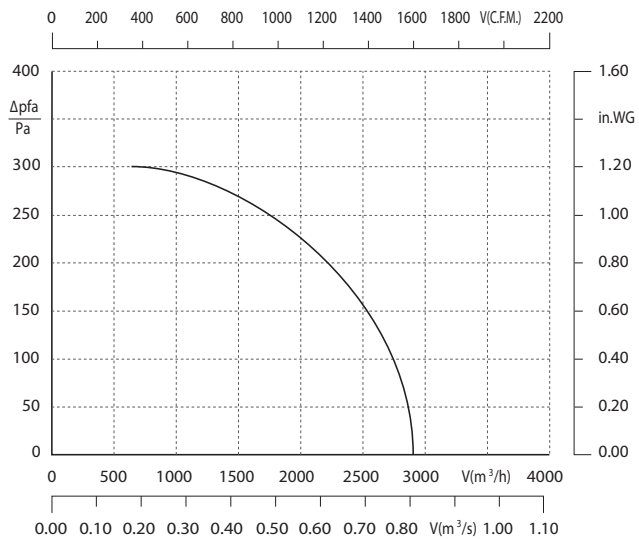
7/7-4



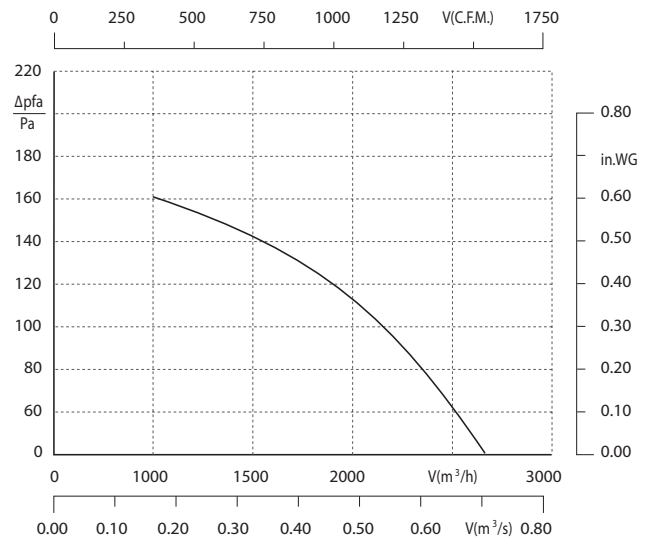
7/7-6



9/9-4

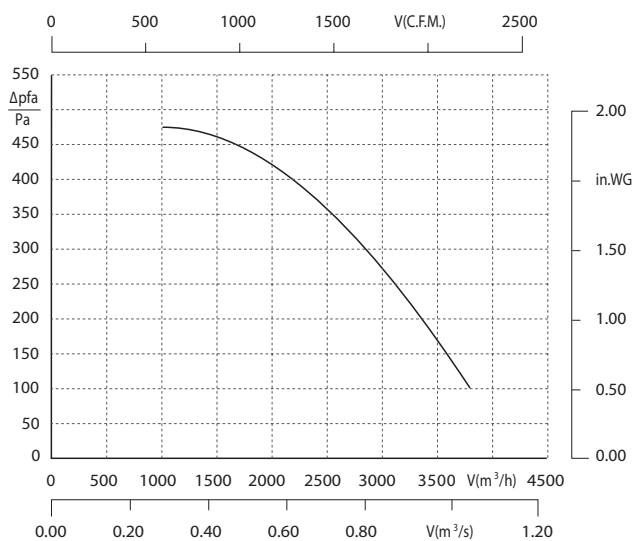


9/9-6

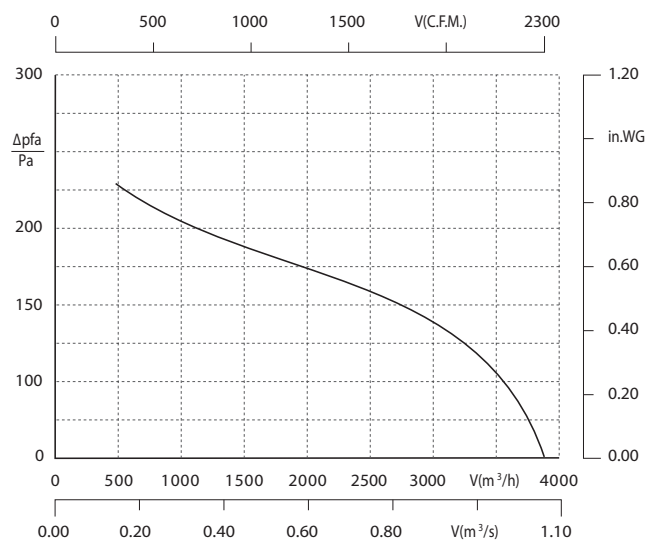


Performance Curves

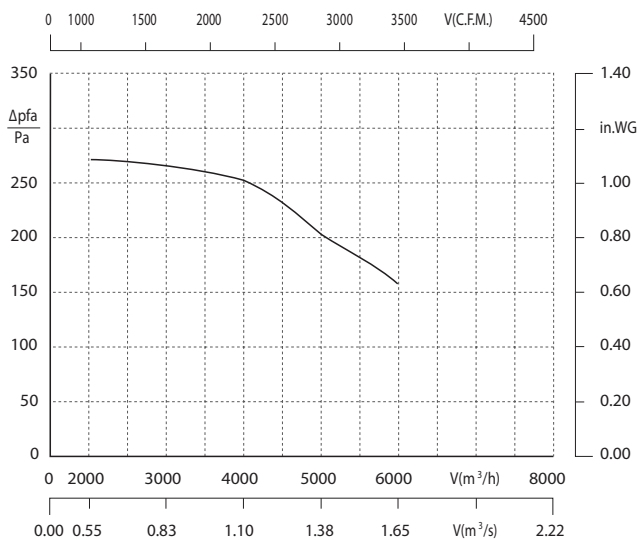
10/10-4



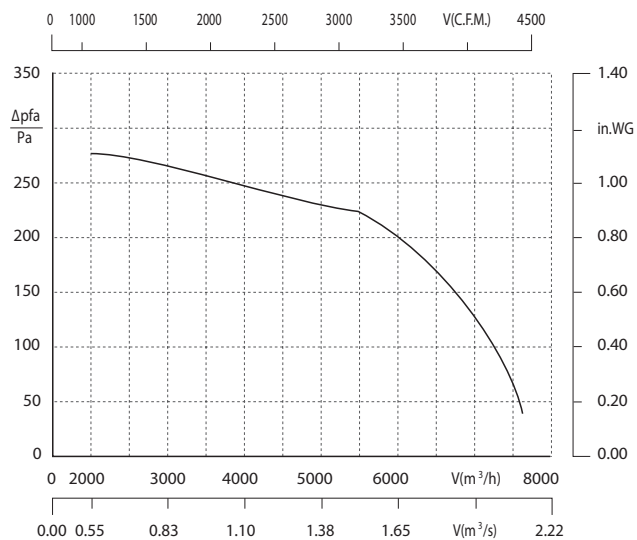
10/10-6



12/12-6



12/12-6D





Conca de Barberà, 6 - Pol. Ind. Pla de la Bruguera
E-08211 CASTELLAR DEL VALLÈS (Barcelona) Spain
Tel. + 34 93 715 99 88 - Fax. + 34 93 715 99 89
airtecnics@airtecnics.com www.airtecnics.com

