



## Technical Features



Range  
**Up to 7 m**



Airflow / Length  
**3750 - 9380 m<sup>3</sup>/h**  
**1 m to 2,5 m**



Fans  
**Centrifugal**  
**5-speed**



Heating types  
**E : electrical 3 stages**  
**P : water**  
**A : unheated**  
**DX : heat pump [\*]**



Heating capacity  
**E : 6 - 46 kW**  
**P : 15,2 - 45,8 kW**



Control  
**Plug&Play manual regulator**  
**+ IR remote control**  
**(Optional Clever Control)**



Casing  
**Galvanised Steel**



Grille type  
**Suction lamellas +**  
**Rectangular perforated**



Outlet lamellas  
**Aluminium, airfoil type**  
**Adjustable 0-15° each side**

RAL 9016  
standard



Other colors  
on request



Stainless  
steel



[\*] Consult separate DX catalogs

RECESSED WINDBOX BB is a high pressure compact and robust air curtain from our standard range with a timeless design, for recessed installation in false ceilings. It is a suitable air curtain for all types of commercial and industrial entrances.

Inlet grille made with aluminium profiles and blow-out nozzle, integrated in a single white frame colour RAL 9016. Other colours are available on request.

This model works with the latest generation of double-inlet centrifugal high efficiency EC fans driven by an external rotor motor, with low noise level and very low consumption.

Includes Plug&Play control with 7m RJ45 cable and infrared remote control. Optionally can be regulated with Advanced Clever Control (programmable, automatic, intelligent, compatible with Modbus RTU for BMS).

### ❄ UNHEATED

Model	Airflow m <sup>3</sup> /h	Ventilation power 230V~50Hz kW	Ventilation current 230V~50Hz A	Noise level (5 m) dB(A)	Weight kg
RBB 1000 A	4020	0,873	3,87	66	50
RBB 1500 A	5360	1,164	5,16	67	75
RBB 2000 A	8040	1,746	7,74	68	100
RBB 2500 A	9380	2,037	9,03	69	125



## ⚡ ELECTRIC HEATED

Model	Airflow m <sup>3</sup> /h	Electrical heating capacity 400Vx3~50Hz (*) kW	Ventilation power 230V~50Hz kW	Ventilation current 230V~50Hz A	Noise level (5 m) dB(A)	Weight kg
RBB 1000 E	4020	6/15/21	0,873	3,87	66	60
RBB 1500 E	5360	8/19/27	1,164	5,16	67	91
RBB 2000 E	8040	12/30/42 (**)	1,746	7,74	68	121
RBB 2500 E	9380	16/30/46 (**)	2,037	9,03	69	151

(\*) Under request other electrical heating power can be limited.

(\*\*) 2 separated power supplies.

## 💧 WATER HEATED

Model	Airflow m <sup>3</sup> /h	P86 (80/60°C)		P64 (60/40°C)		P54 (50/40°C)		Ventilation power 230V~50Hz kW	Ventilation current 230V~50Hz A	Noise level (5 m) dB(A)	Weight kg
		Water heating capacity kW	Water pressure drop Pa	Water heating capacity kW	Water pressure drop Pa	Water heating capacity kW	Water pressure drop Pa				
RBB 1000 P	3750	18,21	15190	15,16	16190	16,48	12180	0,873	3,87	65	58
RBB 1500 P	5000	23,52	1200	21,87	10990	24,15	15260	1,164	5,16	66	88
RBB 2000 P	7500	36,57	3470	31,13	7350	35,04	12680	1,746	7,74	67	117
RBB 2500 P	8750	45,78	6370	38,96	13420	42,12	11880	2,037	9,03	68	146

### Water heated:

P86, P64 2x1", P54 1000-2000 2x1" and 2500 2x1¼".

Connection pipes P86, P64 and P54 are male.

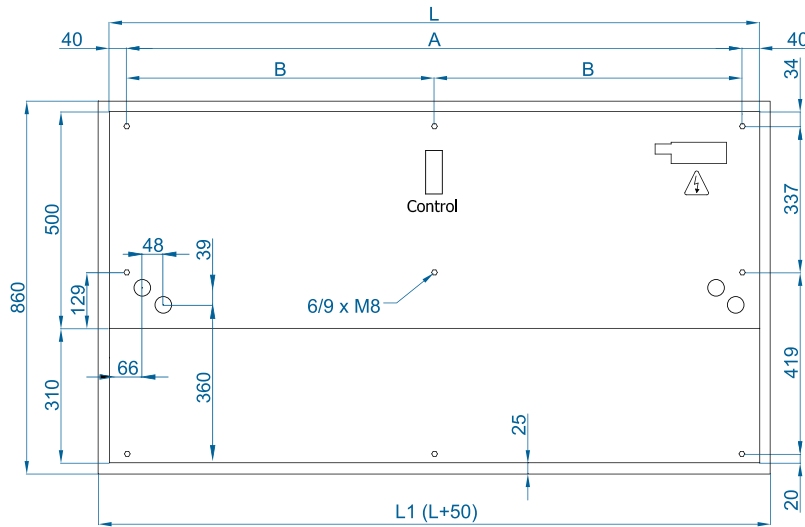
P86 2 rows coil, P64 3 rows coil, P54 4 rows coil.



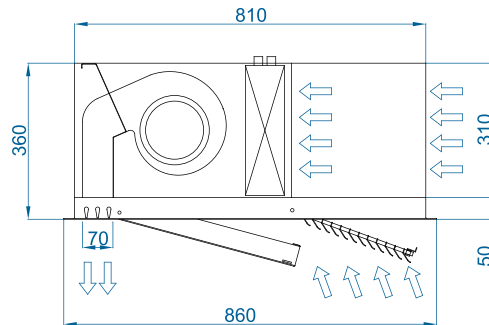
Selection program



## Dimensions



L	A	B
1000	920	-
1500	1420	710
2000	1920	960
2500	2420	1210
3000	2920	1460



CAD drawings, BIM files, installation manuals and other documentation



## Optional accessories

### Supports and installation



Wall rail support  
SPWR



Silentblock supports  
SPANG-SIL / SLB



Suspension cables  
SPCT

### Control



IR Control  
✓ Included



Basic Control  
✓ Included



Clever Control Kit



RJ45 Cable  
✓ Included



Hand-Auto  
CH-5HW-NE



Ambient thermostat  
T6360



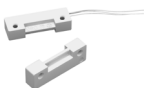
Interface kit  
IN-NE-II

### Filters



Removable  
prefilter G2

### Sensors and valves



Magnetic  
door contact MAG-DC



Mechanical  
door contact MEC-DC



External Temperature  
Sensor (Clever Control)



Solenoid valve  
V-S



Valve 3 ways  
V-T



Proportional valve  
V-ACT



Anti-freezing sensor  
AFS-INS

### Condensation



Condensation tray