



Characteristics



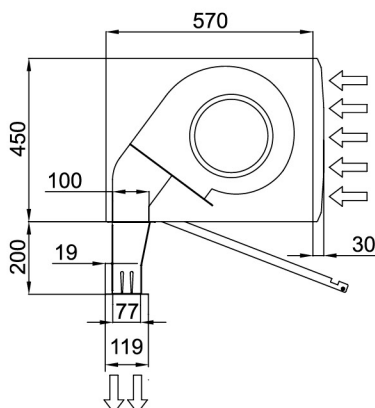
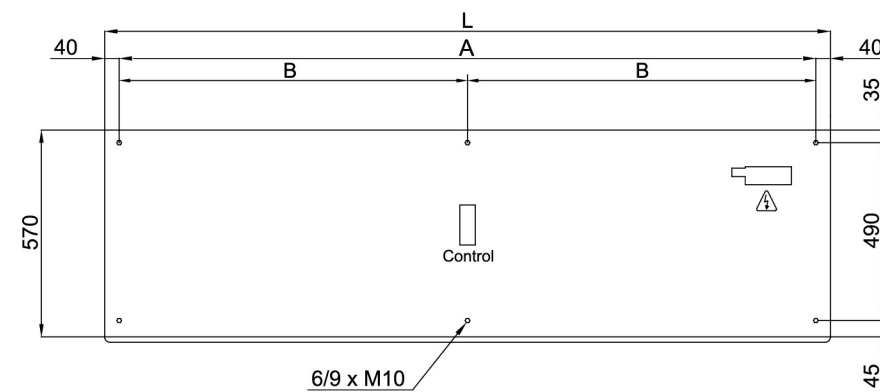
- Specially designed for insects control at entranceways such as food establishments and industry, hospitals or clean zones.
 - High velocity air barrier to prevent flying insects from entering a building. Up to 4m height doors according to NSF 37 standard
 - Self-supporting casing construction made of galvanized steel plate, finished in structural epoxy-polyester painting white colour RAL9016 as standard. Other colours or stainless steel are available on request.
 - Large perforated inlet grille avoiding intensive maintenance.
 - Anodized aluminium outlet vanes, airfoil shaped, adjustable from 0 to 15° each side.
 - Double-inlet centrifugal fans driven by an external rotor motor and low noise level. 5-speed selector.
 - "A" type without heating, air only.
 - Includes Plug&Play Hand Auto control with 10m RJ45 cable and magnetical door contact.
- Optional: Clever control (programmable, automatic, intelligent, energy saving, Modbus RTU for BMS...).

Specifications

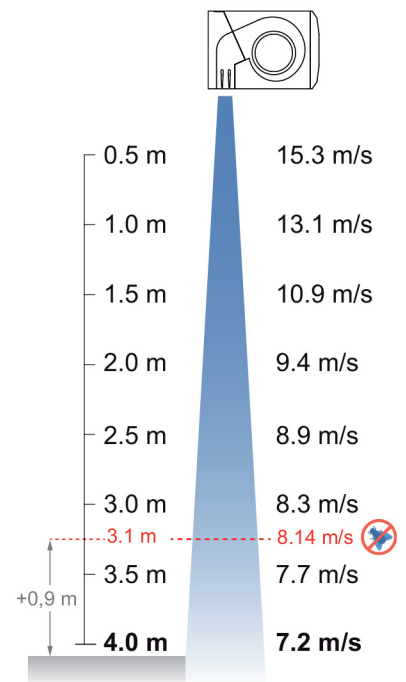
AIR ONLY

Model	Airflow m ³ /h	Fans Power 230V-50Hz kW	Fans Current 230V-50Hz A	Noise Level (5 m) dB(A)	Weight kg
FLY KXL 1000 A	5300	1,40	6,00	65	82
FLY KXL 1500 A	7950	2,10	9,00	66	123
FLY KXL 2000 A	10600	2,80	12,00	67	165
FLY KXL 2500 A	13250	3,50	15,00	68	202
FLY KXL 3000 A	15900	4,20	18,00	69	243

Dimensions



L	A	B
1000	920	-
1500	1420	710
2000	1920	960
2500	2420	1210
3000	2920	1460



According to standard NSF-37-2012, the maximum installation height is the speed profile point at 8,14m/s plus 0,9m. So FLY KXL can be used until 3,1m+0,9m=4,0m.