



Characteristics



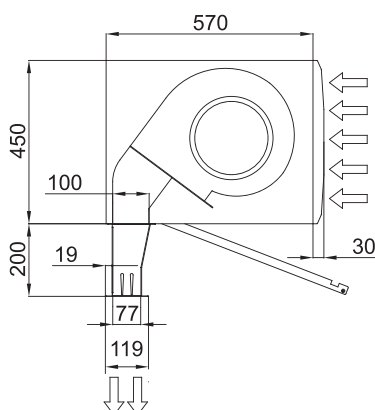
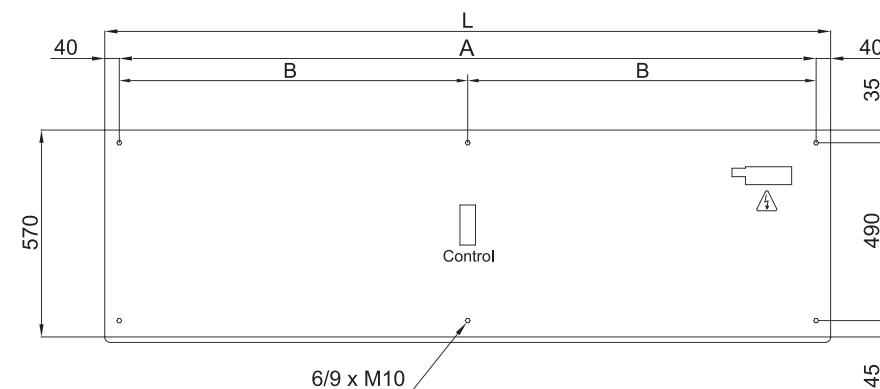
- Specially designed for insects control at entranceways such as food establishments and industry, hospitals or clean zones.
 - High velocity air barrier to prevent flying insects from entering a building. Up to 4m height doors according to NSF 37 standard
 - Self-supporting casing construction made of galvanized steel plate, finished in structural epoxy-polyester painting white colour RAL9016 as standard. Other colours or stainless steel are available on request.
 - Large perforated inlet grille avoiding intensive maintenance.
 - Anodized aluminium outlet vanes, airfoil shaped, adjustable from 0 to 15° each side.
 - Double-inlet centrifugal fans driven by an external rotor motor and low noise level. 5-speed selector.
 - "A" type without heating, air only.
 - Includes Plug&Play Hand Auto control with 10m RJ45 cable and magnetical door contact.
- Optional: Clever control (programmable, automatic, intelligent, energy saving, Modbus RTU for BMS...).

Specifications

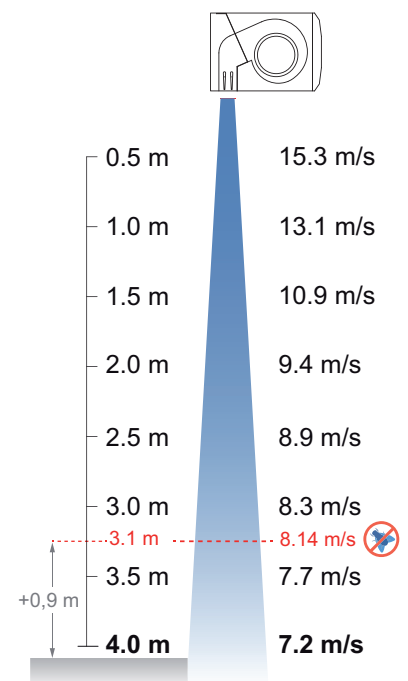
AIR ONLY

Model	Airflow m ³ /h	Fans Power 230V-60Hz kW	Fans Current 230V-60Hz A	Noise Level (5 m) dB(A)	Weight kg
FLY KXL 1000 A 60Hz	6.000	2,28	10,20	65	82
FLY KXL 1500 A 60Hz	9.000	3,42	15,30	66	123
FLY KXL 2000 A 60Hz	12.000	4,55	20,40	67	165
FLY KXL 2500 A 60Hz	15.000	5,69	25,50	68	202
FLY KXL 3000 A 60Hz	18.000	6,83	30,60	69	243

Dimensions



L	A	B
1000	920	-
1500	1420	710
2000	1920	960
2500	2420	1210
3000	2920	1460



According to standard NSF-37-2012, the maximum installation height is the speed profile point at 8,14m/s plus 0,9m. So FLY KXL can be used until 3,1m+0,9m=4,0m.