



## **Portable Fan Heater**

*Water heated*

The industrial fan heater that can be moved wherever the user needs it. Model designed with wheels and handle.



## Technical features

---

Robust and functional fan heater specially designed to warm buildings under construction, factories, sports facilities, car parks or fairgrounds of an area of approximately 450 m<sup>2</sup>.

Galvanised sheet steel frame, with epoxy-polyester RAL 9016 structural finish as standard. Other colours or customisation (logos and vinyls) available on request.

Manufactured with 3 galvanised steel diffusers to direct the hot air in 3 different directions.  
Optional: polyester fabric diffuser to maximise air outlets and radial heating of the environment.

It has wheels that facilitates to change its location easily according to the need of the user.

High efficiency radial back blade fan with 0-100% electronically adjustable EC motor via 0-10V.

Water coil with 2 or 3 row 2x½" male connectors (P85) allowing different working ranges 80/50 as standard. Other working ranges can be calculated on request.

With 3m schucko type cable to power the equipment with 230Vx1 single-phase current.

It includes a power ON/OFF cut-off switch and a 0-100% potentiometer to regulate fan speed. Both are integrated into the structure of the equipment.





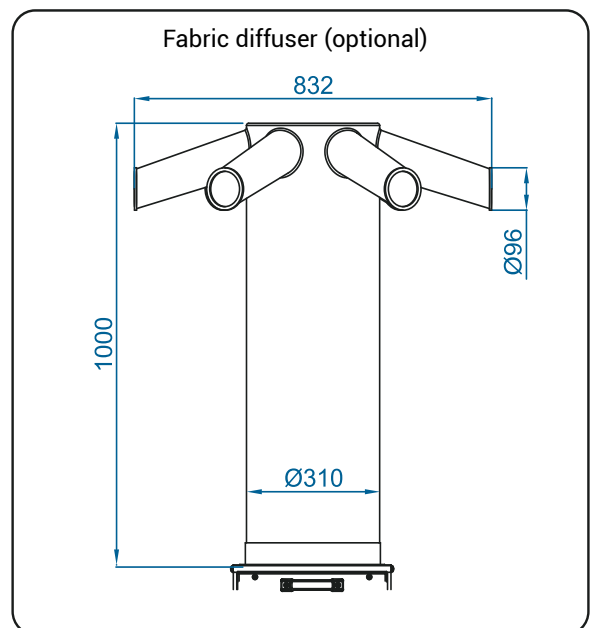
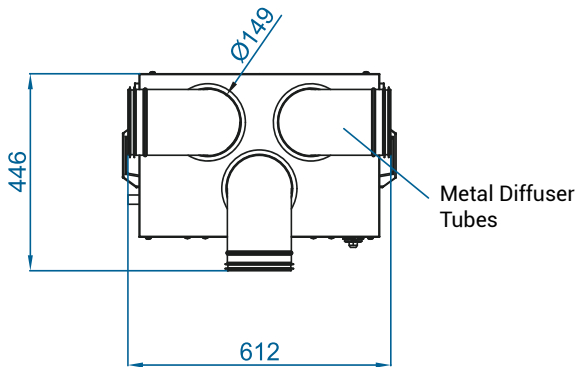
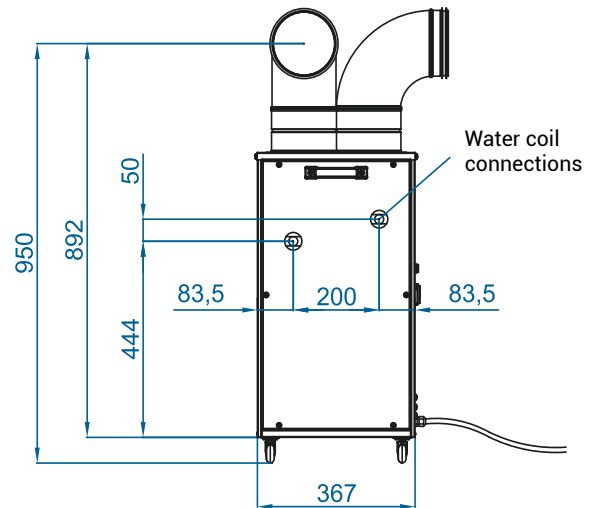
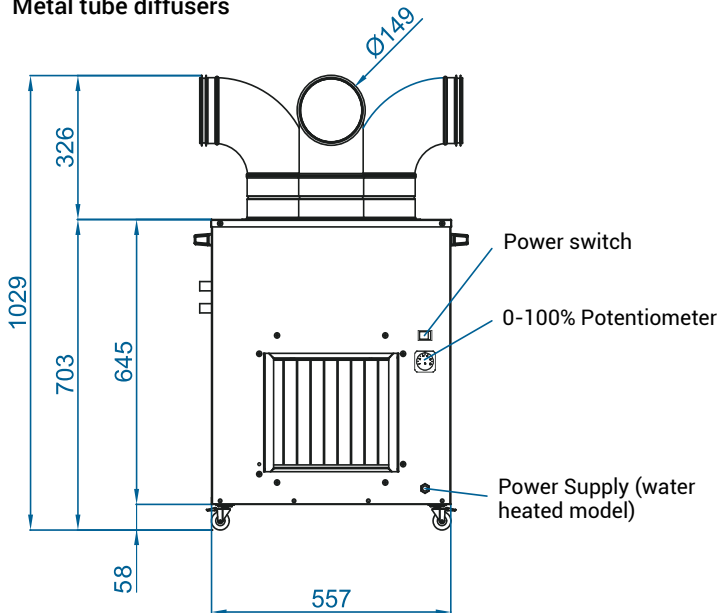
Unit	Airflow (m <sup>3</sup> /h)	Heating power (kW)(*)	Fan power (230V)(W)	Fan intensity (230V)(A)	Weight (Kg)	Noise level (at 5m)(dBA)(**)
<b>FHP22 P85</b>	1580	22,49	93,7	0,74	38	49 / 60

(\*) Calculation made with 15°C in the air inlet and 80-50°C in the fluid temperature.

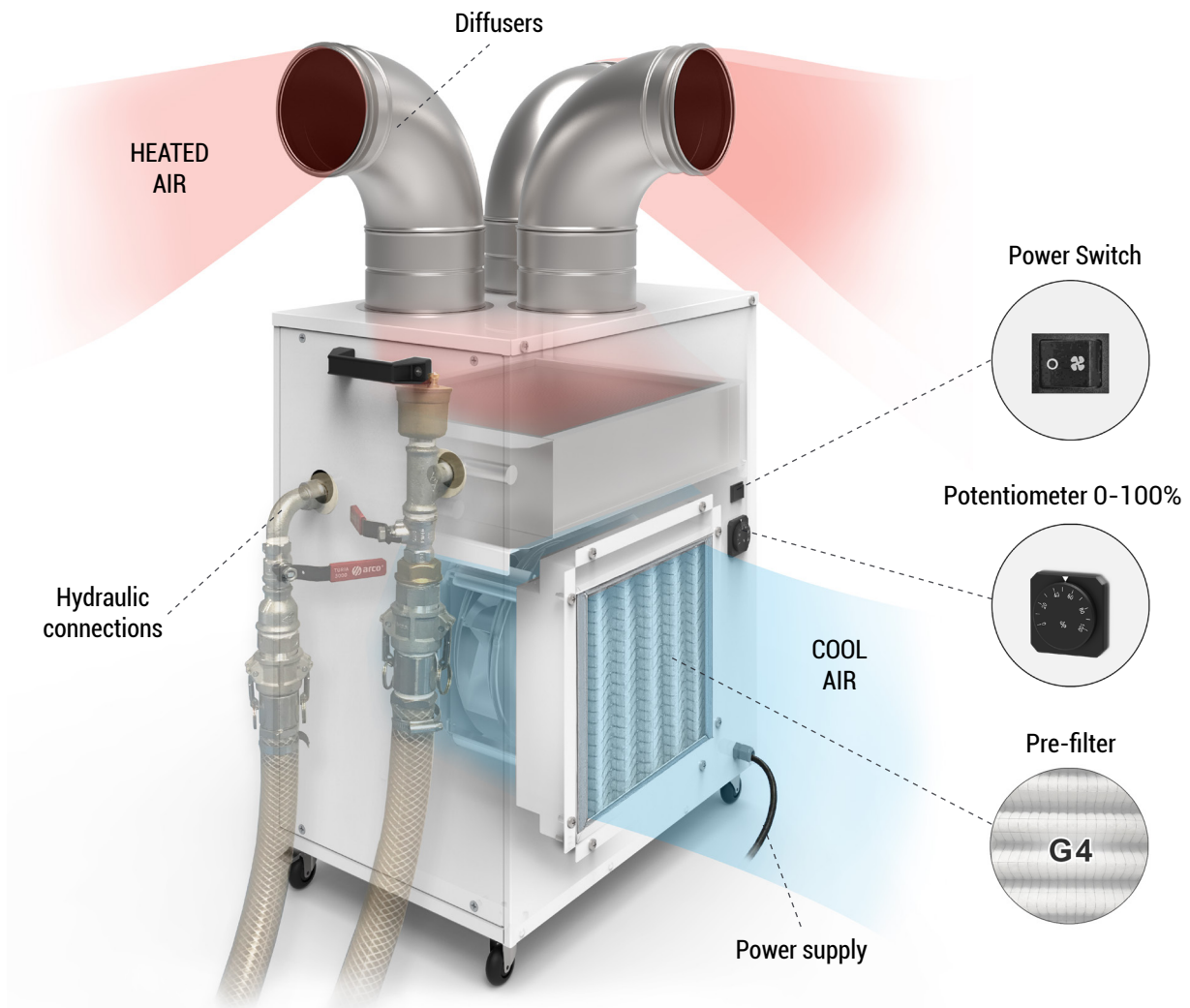
(\*\*) Noise level corresponding to: 50% / 100% of air flow rate.

## Dimensions

### Metal tube diffusers



# Functioning



# Accessories

We can offer the diffuser in polyester fabric to maximize the hot air outcoming and we also provide valves according to customer requirements.



*Polyester fabric diffuser*



Representative picture, different models may work (only for model with water heating)

*Ball Valve*