



Horizontal Fan Heater

Industrial or commercial fan heater for ceiling mounting or recessed in false ceilings. Air-conditioning in large, open-plan spaces is easily achieved.

Technical features

Sturdy and functional fan heater designed for heating large spaces such as industrial buildings, factories, warehouses, sports facilities, shops, parkings or venues.

Galvanised sheet steel frame, with epoxy-polyester RAL 9016 structural finish as standard. Other colours or customisation (logos and vinyls) available on request.

Supplied with round diffuser for large jet. Different tube heights to focus the air and meet client requirements

Mounted directly to the ceiling thanks to omega supports.

Axial fans with 2 ventilation levels (depending on model) with high efficiency and low noise level, with external rotor motor, single-phase 230V/50Hz and, optionally, three-phase model 400V/50Hz.

Water coil with 2 or 3 row 2x $\frac{3}{4}$ " male connectors (P86/P64) allowing different working ranges 80/60 and 60/40 as standard. Other working ranges can be calculated on request.

Different control options to fulfill any customer request: 5 ventilation speed, manual or automatic functioning, remote control, with telephone cable and fast connectors (Plug and Play), interface to connect to BMS, etc.





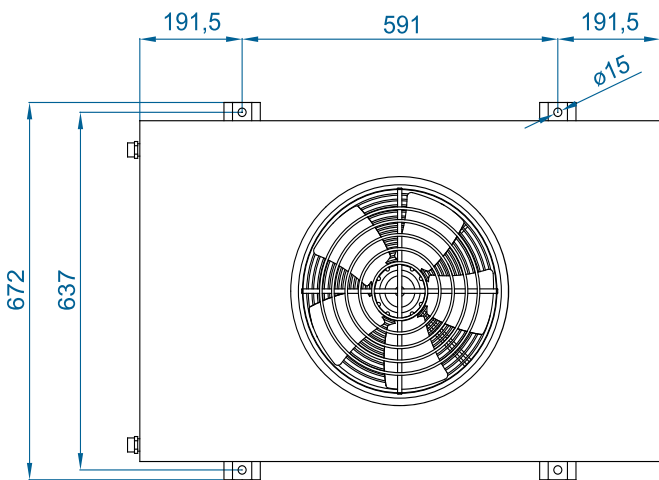
Unit	Airflow (m ³ /h)	Range (m)	Heating power (kW)(*)	Fan power (230V)(W)	Fan intensity (230V)(A)	Weight (Kg)	Noise level (at 5m)(dBA)(**)
HOR 350 P86	2200	5/9	14,70	150	0,71	33,5	39 / 58
HOR 350 P64	2200	5/9	12,30	150	0,71	33,5	39 / 58
HOR EC 350 P86	2450	5/9	15,73	170	0,83	33,5	40 / 59
HOR EC 350 P64	2450	5/9	13,23	170	0,83	33,5	40 / 59

(*) Calculation made with 15°C in the air inlet and 80-60°C / 60-40°C in the fluid temperature.

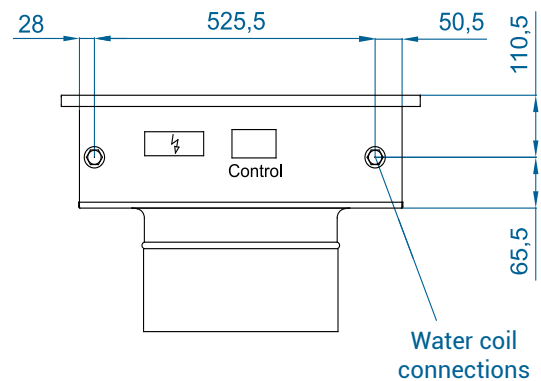
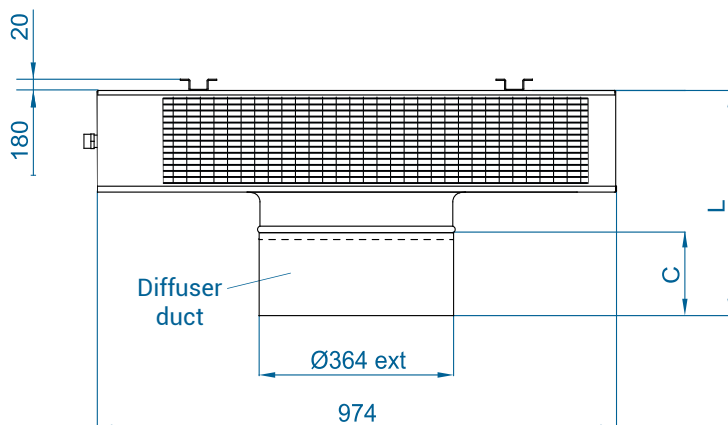
(**) Noise level corresponding to: 50% / 100% of air flow rate.

Dimensions

The unit has compact dimensions, ideal for ceiling or false ceiling installation. Diffuser duct available in two lengths.



	C	L	Air range
Diffuser duct 150 (Standard)	148	400	5 m
Diffuser duct 300	300	550	9 m



Control

This model of fan heater can operate without control or with integrated basic control. Optionally can be regulated by Clever Advanced Control.



*Horizontal Fan Heater
without control*



*Horizontal Fan Heater
with integrated basic control*



Standard
5 speeds
control
CW-5AW-IR

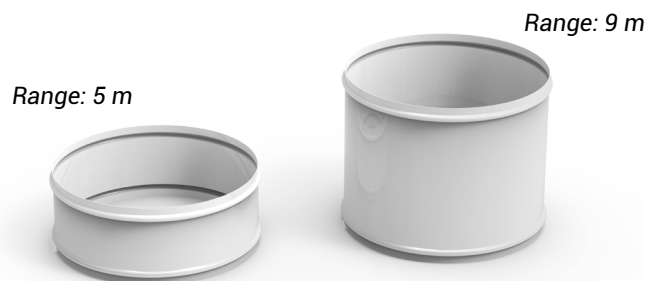


Advanced
Clever Control
(optional)

Accessories

Diffuser duct

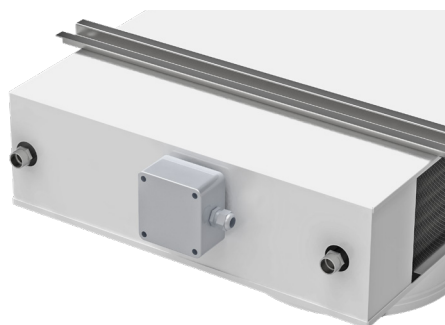
Two types of diffuser ducts can be supplied depending on the height of the installation.



Diffuser ducts

IP54 protection

It is also possible to equip the regulation and connections with IP54 protection.



IP54 regulation and connections