



Characteristics

Rund air curtain with exclusive unique design, cylindrical shape. Elegant and designed for architectural spaces with careful details. Equipped with Kleenfan air disinfection and purification technology, which, through the action of photocatalysis, eliminates the presence of viruses, bacteria and other contaminating components from the air.



- Kleenfan technology with photocatalytic purificant action fans. UV-A rays, from the long-life led, act on the titanium dioxide of the turbine generation Reactive Oxygen Species (ROS) than, through oxidation /reduction reactions, inactivate wide range of pathogenic microorganisms (viruses and bacteria). It mineralizes most of the pollutants present in urban areas produced by vehicles and industry (NOx, SOx, COx, formaldehydes, VOCs, etc.).
- Decorative cylindrical air curtain for vertical or horizontal installation.
- Faceted self-supporting casing construction made of galvanized plated steel, finished in structural epoxy-polyester painting white RAL9016 or silver grey RAL9006 as standard. Other colours or stainless steel are available on request.
- Large faceted inlet grille avoiding intensive maintenance.
- Anodized aluminium outlet vanes, airfoil shaped, adjustable from 0 to 15° each side.
- EC Double-inlet centrifugal fans driven by an external rotor motor and low noise level, with very low consumption efficiency fans.
- “P” type with water heated coil. “E” type with electrical shielded elements, three stages with integrated regulation. “A” type without heating, air only. Optional expansion DX coil.
- Includes Plug&Play control with 7m RJ45 cable and infrared remote control. Optional: Clever control (programmable, automatic, intelligent, energy saving, Modbus RTU for BMS...)

Specifications

50Hz

Unheated		
Model	Nominal Airflow (m³/h)	Recommended Installation Range (m)
RUND ECG 1000 A FC	2700	3-4,2
RUND ECG 1500 A FC	3600	3-4,2
RUND ECG 2000 A FC	5400	3-4,2
RUND ECG 2500 A FC	6300	3-4,2
RUND ECG 3000 A FC	7200	3-4,2

Electrical Heating			
Model	Nominal Airflow (m³/h)	Electrical Heating Capacity 400Vx3 (kW)	Recommended Installation Range (m)
RUND ECG 1000 E FC	2700	5/10/15	3-4,2
RUND ECG 1500 E FC	3600	7,5/15/22,5	3-4,2
RUND ECG 2000 E FC	5400	10/20/30	3-4,2
RUND ECG 2500 E FC	6300	10/20/30	3-4,2
RUND ECG 3000 E FC	7200	10/20/30	3-4,2

Water Heating					
Model	Nominal Airflow (m³/h)	Recommended Installation Range (m)	Heating Capacity 80/60°C (kW)	Heating Capacity 60/40°C (kW)	Heating Capacity 50/40°C (kW)
RUND ECG 1000 P86 FC	2550	3-4,2	11.89	-	-
RUND ECG 1500 P86 FC	3400	3-4,2	17.29	-	-
RUND ECG 2000 P86 FC	5100	3-4,2	26.86	-	-
RUND ECG 2500 P86 FC	5950	3-4,2	33.63	-	-
RUND ECG 3000 P86 FC	6800	3-4,2	40.34	-	-



Water Heating					
Model	Nominal Airflow (m³/h)	Recommended Installation Range (m)	Heating Capacity 80/60°C (kW)	Heating Capacity 60/40°C (kW)	Heating Capacity 50/40°C (kW)
RUND ECG 1000 P64 FC	2550	3-4,2	-	11.27	-
RUND ECG 1500 P64 FC	3400	3-4,2	-	16.77	-
RUND ECG 2000 P64 FC	5100	3-4,2	-	24.14	-
RUND ECG 2500 P64 FC	5950	3-4,2	-	28.84	-
RUND ECG 3000 P64 FC	6800	3-4,2	-	34.81	-
RUND ECG 1000 P54 FC	2550	3-4,2	-	-	11.5
RUND ECG 1500 P54 FC	3400	3-4,2	-	-	17.86
RUND ECG 2000 P54 FC	5100	3-4,2	-	-	25.24
RUND ECG 2500 P54 FC	5950	3-4,2	-	-	31.38
RUND ECG 3000 P54 FC	6800	3-4,2	-	-	37.16

60Hz

Unheated		
Model	Nominal Airflow (m³/h)	Recommended Installation Range (m)
RUND ECG 1000 A FC	2700	3-4,2
RUND ECG 1500 A FC	3600	3-4,2
RUND ECG 2000 A FC	5400	3-4,2
RUND ECG 2500 A FC	6300	3-4,2
RUND ECG 3000 A FC	7200	3-4,2

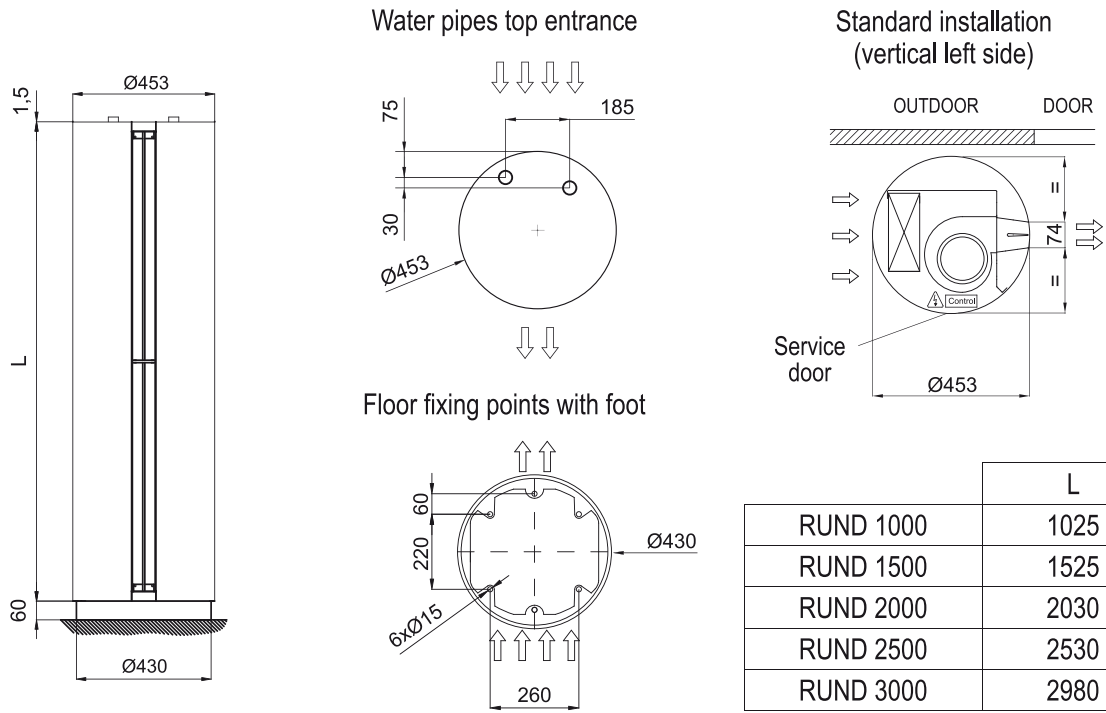
Electrical Heating			
Model	Nominal Airflow (m³/h)	Electrical Heating Capacity 400Vx3 (kW)	Recommended Installation Range (m)
RUND ECG 1000 E FC	2700	5/10/15	3-4,2
RUND ECG 1500 E FC	3600	7,5/15/22,5	3-4,2
RUND ECG 2000 E FC	5400	10/20/30	3-4,2
RUND ECG 2500 E FC	6300	10/20/30	3-4,2
RUND ECG 3000 E FC	7200	10/20/30	3-4,2

Water Heating					
Model	Nominal Airflow (m³/h)	Recommended Installation Range (m)	Heating Capacity 80/60°C (kW)	Heating Capacity 60/40°C (kW)	Heating Capacity 50/40°C (kW)
RUND ECG 1000 P86 FC	2550	3-4,2	11.89	-	-
RUND ECG 1500 P86 FC	3400	3-4,2	17.29	-	-
RUND ECG 2000 P86 FC	5100	3-4,2	26.86	-	-
RUND ECG 2500 P86 FC	5950	3-4,2	33.63	-	-
RUND ECG 3000 P86 FC	6800	3-4,2	40.34	-	-
RUND ECG 1000 P64 FC	2550	3-4,2	-	11.27	-
RUND ECG 1500 P64 FC	3400	3-4,2	-	16.77	-
RUND ECG 2000 P64 FC	5100	3-4,2	-	24.14	-
RUND ECG 2500 P64 FC	5950	3-4,2	-	28.84	-
RUND ECG 3000 P64 FC	6800	3-4,2	-	34.81	-
RUND ECG 1000 P54 FC	2550	3-4,2	-	-	11.5
RUND ECG 1500 P54 FC	3400	3-4,2	-	-	17.86
RUND ECG 2000 P54 FC	5100	3-4,2	-	-	25.24
RUND ECG 2500 P54 FC	5950	3-4,2	-	-	31.38



Water Heating					
Model	Nominal Airflow (m ³ /h)	Recommended Installation Range (m)	Heating Capacity 80/60°C (kW)	Heating Capacity 60/40°C (kW)	Heating Capacity 50/40°C (kW)
RUND ECG 3000 P54 FC	6800	3-4,2	-	-	37.16

Dimensions



	L
RUND 1000	1025
RUND 1500	1525
RUND 2000	2030
RUND 2500	2530
RUND 3000	2980