



Characteristics

Smart air curtain with air and surface disinfection and purification function. It combines Kleenfan and OH technologies that through the effect of photocatalysis and the generation of hydroxyl radicals OH- eliminate viruses, bacteria, odours and contaminating gases, improving the quality of the air



Air Disinfection Performance



- Combines a double patented purification technology through the generation of hydroxyl radicals OH- and the effect of photocatalysis.
- Innovative OH active technology with efficient production of hydroxyl radicals, complies with the exposure limits against chemical agents adopted by the National Institute of Safety and Health (INSS), which purifies both air and surfaces through a chain reaction. Through Advanced Oxidation Processes (AOP) inactivates up to 99.9% of pathogenic microorganisms (viruses and bacteria), improves air quality (reducing volatile organic compounds and suspended particles) and eliminates odours.
- Includes one purificant cartridge with hydrogen peroxide solution to generate hydroxyl radicals.
- Kleenfan technology with photocatalytic purificant action fans. UV-A rays, from the long-life led, act on the titanium dioxide of the turbine generation Reactive Oxygen Species (ROS) than, through oxidation /reduction reactions, inactivate wide range of pathogenic microorganisms (viruses and bacteria). It mineralizes most of the pollutants present in urban areas produced by vehicles and industry (NOx, SOx, COx, formaldehydes, VOCs, etc.).
- Includes Advanced Clever Control with purification program operation 24h/day, 4 levels of air quality indicator and replacement alarm of hydrogen peroxide purificant cartridge (around 3 months duration, depending on conditions). Plug&Play, programmable, Intelligent, automatic, energy saving mode, Modbus RTU by PLC...
- Stylish, discreet and contemporary design adaptive to any interior architecture.
- Smooth front panel can be customized with logotypes, lighting, lettering or safety and informative signals, according to the client requirements.
- Self-supporting steel rounded casing with edgeless plastic side covers, finished in structural epoxy-polyester painting white colour RAL9016 as standard. Other colours are available on request.
- Hidden top air entrance, avoiding the inside view of the unit and the inlet grille.
- Anodized aluminium outlet vanes, airfoil shaped, adjustable in both directions.
- EC Double-inlet centrifugal fans driven by an external rotor motor and low noise level, with very low consumption efficiency fans.
- "P" type with water heated coil. "E" type with electrical shielded elements, three stages with integrated regulation. "A" type without heating, air only. Optional expansion DX coil.

Specifications

50Hz

Model	Unheated	
	Nominal Airflow (m³/h)	Recommended Installation Range (m)
SMART ECM 1000 A OH+FC	1840	2,5-3,8
SMART ECM 1000 A FC	1840	2,5-3,8
SMART ECM 1500 A OH+FC	2760	2,5-3,8
SMART ECM 2000 A OH+FC	3680	2,5-3,8
SMART ECM 2500 A OH+FC	4600	2,5-3,8
SMART ECM 3000 A OH+FC	5520	2,5-3,8
SMART ECG 1000 A OH+FC	2700	3-4,2



Unheated		
Model	Nominal Airflow (m³/h)	Recommended Installation Range (m)
SMART ECG 1500 A OH+FC	3600	3-4,2
SMART ECG 2000 A OH+FC	5400	3-4,2
SMART ECG 2500 A OH+FC	6300	3-4,2
SMART ECG 3000 A OH+FC	7200	3-4,2

Electrical Heating			
Model	Nominal Airflow (m³/h)	Electrical Heating Capacity 400Vx3 (kW)	Recommended Installation Range (m)
SMART ECM 1000 E OH+FC	1840	3/6/9	2,5-3,8
SMART ECM 1500 E OH+FC	2760	4/8/12	2,5-3,8
SMART ECM 2000 E OH+FC	3680	6/12/18	2,5-3,8
SMART ECM 2500 E OH+FC	4600	6/12/18	2,5-3,8
SMART ECM 3000 E OH+FC	5520	8/16/24	2,5-3,8
SMART ECG 1000 E OH+FC	2700	5/10/15	3-4,2
SMART ECG 1500 E OH+FC	3600	7,5/15/22,5	3-4,2
SMART ECG 2000 E OH+FC	5400	10/20/30	3-4,2
SMART ECG 2500 E OH+FC	6300	10/20/30	3-4,2
SMART ECG 3000 E OH+FC	7200	10/20/30	3-4,2

Water Heating					
Model	Nominal Airflow (m³/h)	Recommended Installation Range (m)	Heating Capacity 80/60°C (kW)	Heating Capacity 60/40°C (kW)	Heating Capacity 50/40°C (kW)
SMART ECM 1000 P86 OH+FC	1720	2,5-3,8	9.38	-	-
SMART ECM 1500 P86 OH+FC	2580	2,5-3,8	14.58	-	-
SMART ECM 2000 P86 OH+FC	3440	2,5-3,8	21.12	-	-
SMART ECM 2500 P86 OH+FC	4300	2,5-3,8	27.53	-	-
SMART ECM 3000 P86 OH+FC	5160	2,5-3,8	33.99	-	-
SMART ECG 1000 P86 OH+FC	2550	3-4,2	11.89	-	-
SMART ECG 1500 P86 OH+FC	3400	3-4,2	17.29	-	-
SMART ECG 2000 P86 OH+FC	5100	3-4,2	26.86	-	-
SMART ECG 2500 P86 OH+FC	5950	3-4,2	33.63	-	-
SMART ECG 3000 P86 OH+FC	6800	3-4,2	40.34	-	-
SMART ECM 1000 P64 OH+FC	1720	2,5-3,8	-	8.77	-



Water Heating					
Model	Nominal Airflow (m ³ /h)	Recommended Installation Range (m)	Heating Capacity 80/60°C (kW) (kW)	Heating Capacity 60/40°C (kW) (kW)	Heating Capacity 50/40°C (kW)
SMART ECM 1500 P64 OH+FC	2580	2,5-3,8	-	14.02	-
SMART ECM 2000 P64 OH+FC	3440	2,5-3,8	-	18.7	-
SMART ECM 2500 P64 OH+FC	4300	2,5-3,8	-	23.33	-
SMART ECM 3000 P64 OH+FC	5160	2,5-3,8	-	29.05	-
SMART ECG 1000 P64 OH+FC	2550	3-4,2	-	11.27	-
SMART ECG 1500 P64 OH+FC	3400	3-4,2	-	16.77	-
SMART ECG 2000 P64 OH+FC	5100	3-4,2	-	24.14	-
SMART ECG 2500 P64 OH+FC	5950	3-4,2	-	28.84	-
SMART ECG 3000 P64 OH+FC	6800	3-4,2	-	34.81	-
SMART ECM 1000 P54 OH+FC	1720	2,5-3,8	-	-	8.74
SMART ECM 1500 P54 OH+FC	2580	2,5-3,8	-	-	14.71
SMART ECM 2000 P54 OH+FC	3440	2,5-3,8	-	-	19.13
SMART ECM 2500 P54 OH+FC	4300	2,5-3,8	-	-	24.95
SMART ECM 3000 P54 OH+FC	5160	2,5-3,8	-	-	30.54
SMART ECG 1000 P54 OH+FC	2550	3-4,2	-	-	11.5
SMART ECG 1500 P54 OH+FC	3400	3-4,2	-	-	17.86
SMART ECG 2000 P54 OH+FC	5100	3-4,2	-	-	25.24
SMART ECG 2500 P54 OH+FC	5950	3-4,2	-	-	31.38
SMART ECG 3000 P54 OH+FC	6800	3-4,2	-	-	37.16

60Hz

Unheated		
Model	Nominal Airflow (m ³ /h)	Recommended Installation Range (m)
SMART ECM 1000 A OH+FC	1840	2,5-3,8
SMART ECM 1000 A FC	1840	2,5-3,8
SMART ECM 1500 A OH+FC	2760	2,5-3,8
SMART ECM 2000 A OH+FC	3680	2,5-3,8
SMART ECM 2500 A OH+FC	4600	2,5-3,8
SMART ECM 3000 A OH+FC	5520	2,5-3,8
SMART ECG 1000 A OH+FC	2700	3-4,2



Unheated		
Model	Nominal Airflow (m³/h)	Recommended Installation Range (m)
SMART ECG 1500 A OH+FC	3600	3-4,2
SMART ECG 2000 A OH+FC	5400	3-4,2
SMART ECG 2500 A OH+FC	6300	3-4,2
SMART ECG 3000 A OH+FC	7200	3-4,2

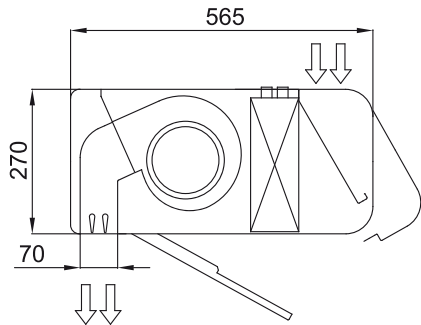
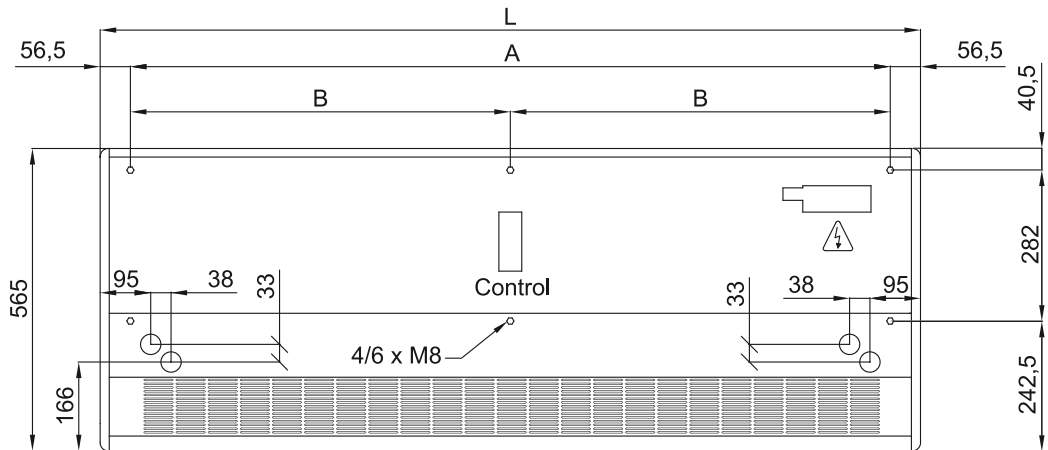
Electrical Heating			
Model	Nominal Airflow (m³/h)	Electrical Heating Capacity 400Vx3 (kW)	Recommended Installation Range (m)
SMART ECM 1000 E OH+FC	1840	3/6/9	2,5-3,8
SMART ECM 1500 E OH+FC	2760	4/8/12	2,5-3,8
SMART ECM 2000 E OH+FC	3680	6/12/18	2,5-3,8
SMART ECM 2500 E OH+FC	4600	6/12/18	2,5-3,8
SMART ECM 3000 E OH+FC	5520	8/16/24	2,5-3,8
SMART ECG 1000 E OH+FC	2700	5/10/15	3-4,2
SMART ECG 1500 E OH+FC	3600	7,5/15/22,5	3-4,2
SMART ECG 2000 E OH+FC	5400	10/20/30	3-4,2
SMART ECG 2500 E OH+FC	6300	10/20/30	3-4,2
SMART ECG 3000 E OH+FC	7200	10/20/30	3-4,2

Water Heating					
Model	Nominal Airflow (m³/h)	Recommended Installation Range (m)	Heating Capacity 80/60°C (kW)	Heating Capacity 60/40°C (kW)	Heating Capacity 50/40°C (kW)
SMART ECM 1000 P86 OH+FC	1720	2,5-3,8	9.38	-	-
SMART ECM 1500 P86 OH+FC	2580	2,5-3,8	14.58	-	-
SMART ECM 2000 P86 OH+FC	3440	2,5-3,8	21.12	-	-
SMART ECM 2500 P86 OH+FC	4300	2,5-3,8	27.53	-	-
SMART ECM 3000 P86 OH+FC	5160	2,5-3,8	33.99	-	-
SMART ECG 1000 P86 OH+FC	2550	3-4,2	11.89	-	-
SMART ECG 1500 P86 OH+FC	3400	3-4,2	17.29	-	-
SMART ECG 2000 P86 OH+FC	5100	3-4,2	26.86	-	-
SMART ECG 2500 P86 OH+FC	5950	3-4,2	33.63	-	-
SMART ECG 3000 P86 OH+FC	6800	3-4,2	40.34	-	-
SMART ECM 1000 P64 OH+FC	1720	2,5-3,8	-	8.77	-



Model	Water Heating				
	Nominal Airflow (m ³ /h)	Recommended Installation Range (m)	Heating Capacity 80/60°C (kW) (kW)	Heating Capacity 60/40°C (kW) (kW)	Heating Capacity 50/40°C (kW)
SMART ECM 1500 P64 OH+FC	2580	2,5-3,8	-	14.02	-
SMART ECM 2000 P64 OH+FC	3440	2,5-3,8	-	18.7	-
SMART ECM 2500 P64 OH+FC	4300	2,5-3,8	-	23.33	-
SMART ECM 3000 P64 OH+FC	5160	2,5-3,8	-	29.05	-
SMART ECG 1000 P64 OH+FC	2550	3-4,2	-	11.27	-
SMART ECG 1500 P64 OH+FC	3400	3-4,2	-	16.77	-
SMART ECG 2000 P64 OH+FC	5100	3-4,2	-	24.14	-
SMART ECG 2500 P64 OH+FC	5950	3-4,2	-	28.84	-
SMART ECG 3000 P64 OH+FC	6800	3-4,2	-	34.81	-
SMART ECM 1000 P54 OH+FC	1720	2,5-3,8	-	-	8.74
SMART ECM 1500 P54 OH+FC	2580	2,5-3,8	-	-	14.71
SMART ECM 2000 P54 OH+FC	3440	2,5-3,8	-	-	19.13
SMART ECM 2500 P54 OH+FC	4300	2,5-3,8	-	-	24.95
SMART ECM 3000 P54 OH+FC	5160	2,5-3,8	-	-	30.54
SMART ECG 1000 P54 OH+FC	2550	3-4,2	-	-	11.5
SMART ECG 1500 P54 OH+FC	3400	3-4,2	-	-	17.86
SMART ECG 2000 P54 OH+FC	5100	3-4,2	-	-	25.24
SMART ECG 2500 P54 OH+FC	5950	3-4,2	-	-	31.38
SMART ECG 3000 P54 OH+FC	6800	3-4,2	-	-	37.16

Dimensions



	L	A	B
Smart 1000	1034	920	-
Smart 1500	1534	1420	710
Smart 2000	2034	1920	960
Smart 2500	2534	2420	1210
Smart 3000	3034	2920	1460