



Characteristics



- Compact and low profile recessed air curtain with full grille view and energy savings heat pump: Up to 70% reduction in costs and CO2 emissions (heating mode).
- Self-supporting casing construction made of galvanized steel plate, ready to be installed recessed in a false ceiling.
- Inlet grille (free of maintenance) made with aluminium profiles and blow-out nozzle, integrated in a single white frame colour RAL 9016. Other colours are available on request.
- Low noise double-inlet centrifugal fans with external rotor motor. 5-speed controller. EC models assembled with very low consumption efficiency fans.
- Includes only heating direct expansion coil with installed temperature sensors.
- Advanced Plug&Play control. Includes: Advanced PRO control with LCD display and integrated thermostat, door contact, 7m RJ11 cable and remote control.
- DX VRF:
Ready to connect to HAIER VRF outdoor heat pump unit (R410A), not included, the customer should purchase it.
Requires HAIER VRF Interface KIT adapted for air curtain with expansion valve and programmable control, please consult.

Specifications

50Hz

Heat Pump - VRF		
Model	Nominal Airflow (m³/h)	Recommended Installation Range (m)
RDAM ECM 1000 VRF7-HA	1640	2,5-3,8
RDAM ECM 1500 VRF12-HA	2460	2,5-3,8
RDAM ECM 2000 VRF16-HA	3280	2,5-3,8
RDAM ECM 2000 VRF19-HA	3280	2,5-3,8
RDAM ECM 2500 VRF21-HA	4100	2,5-3,8
RDAM ECM 2500 VRF24-HA	4100	2,5-3,8
RDAM ECG 1000 VRF10-HA	2190	3-4,2
RDAM ECG 1500 VRF13-HA	2920	3-4,2
RDAM ECG 1500 VRF15-HA	2920	3-4,2
RDAM ECG 2000 VRF20-HA	4380	3-4,2
RDAM ECG 2000 VRF24-HA	4380	3-4,2
RDAM ECG 2500 VRF25-HA	5110	3-4,2
RDAM ECG 2500 VRF29-HA	5110	3-4,2

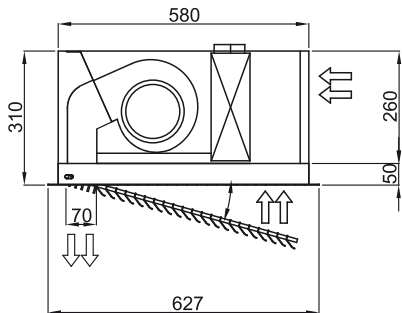
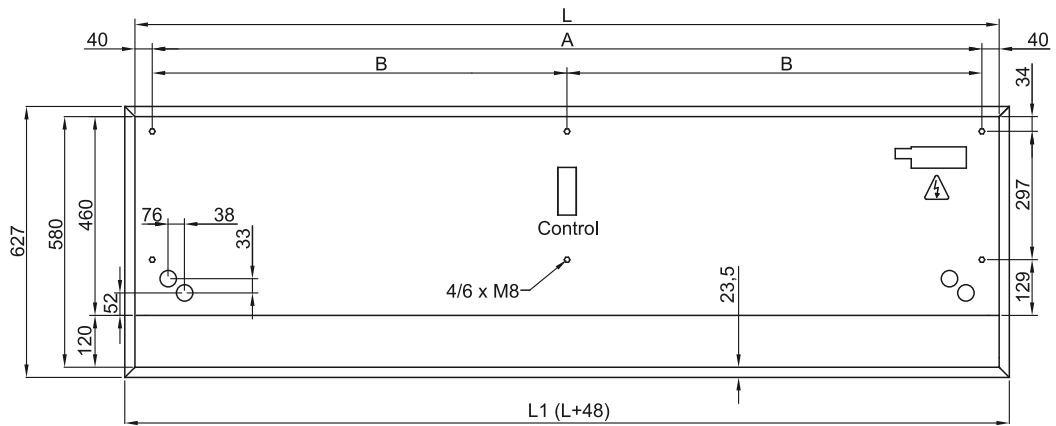
60Hz

Heat Pump - VRF		
Model	Nominal Airflow (m³/h)	Recommended Installation Range (m)
RDAM ECM 1000 VRF7-HA	1640	2,5-3,8
RDAM ECM 1500 VRF12-HA	2460	2,5-3,8



Heat Pump - VRF		
Model	Nominal Airflow (m³/h)	Recommended Installation Range (m)
RDAM ECM 2000 VRF16-HA	3280	2,5-3,8
RDAM ECM 2000 VRF19-HA	3280	2,5-3,8
RDAM ECM 2500 VRF21-HA	4100	2,5-3,8
RDAM ECM 2500 VRF24-HA	4100	2,5-3,8
RDAM ECG 1000 VRF10-HA	2190	3-4,2
RDAM ECG 1500 VRF13-HA	2920	3-4,2
RDAM ECG 1500 VRF15-HA	2920	3-4,2
RDAM ECG 2000 VRF20-HA	4380	3-4,2
RDAM ECG 2000 VRF24-HA	4380	3-4,2
RDAM ECG 2500 VRF25-HA	5110	3-4,2
RDAM ECG 2500 VRF29-HA	5110	3-4,2

Dimensions



	L	L1	A	B
Recessed Dam 1000	1000	1048	920	-
Recessed Dam 1500	1500	1548	1420	710
Recessed Dam 2000	2000	2048	1920	960
Recessed Dam 2500	2500	2548	2420	1210