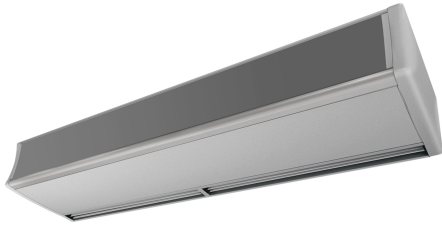




Characteristics

This exclusive decorative air curtain is exceptionally manufactured to order. Its design is elegant, with rounded edges and colours available in a wide range of the catalogue. It produces very low noise and has the possibility of including heating. In addition to the possibility of adding energy saving features, on/off programming...



- Structure made of aluminium profiles and galvanized plated steel panels, finished in structural epoxy-polyester white RAL 9016 or silver grey RAL 9006 as standard. Other colours are available on request.
- Micro-perforated inlet grille with filter functions and easy service. It does not need prefilter.
- Anodized aluminium outlet vanes, airfoil shaped, adjustable from 0 to 15° each side.
- Double-inlet centrifugal fans driven by an external rotor motor and low noise level. 5-speed selector. EC models assembled with very low consumption efficiency fans.
- “P” type with water heated coil. “E” type with electrical shielded elements, three stages with integrated regulation. “A” type without heating, air only. Optional expansion DX coil.
- Includes Plug&Play control with 7m RJ45 cable and infrared remote control. Optional: Clever control (programmable, automatic, intelligent, energy saving, Modbus RTU for BMS...)

Specifications

50Hz

Unheated		
Model	Nominal Airflow (m³/h)	Recommended Installation Height (m)
DM 1000 A	1800	2,5-3,5
DM 1500 A	2700	2,5-3,5
DM 2000 A	3600	2,5-3,5
DM 2500 A	4500	2,5-3,5
DECM 1000 A	1840	2,5-3,8
DECM 1500 A	2760	2,5-3,8
DECM 2000 A	3680	2,5-3,8
DECM 2500 A	4600	2,5-3,8
DG 1000 A	2400	3-4
DG 1500 A	3200	3-4
DG 2000 A	4800	3-4
DG 2500 A	5600	3-4
DECG 1000 A	2700	3-4,2
DECG 1500 A	3600	3-4,2
DECG 2000 A	5400	3-4,2
DECG 2500 A	6300	3-4,2

Electrical Heating			
Model	Nominal Airflow (m³/h)	Electrical Heating Capacity 400Vx3 (kW)	Recommended Installation Height (m)
DM 1000 E	1800	3/6/9	2,5-3,5
DM 1500 E	2700	4/8/12	2,5-3,5
DM 2000 E	3600	6/12/18	2,5-3,5
DM 2500 E	4500	6/12/18	2,5-3,5
DECM 1000 E	1840	3/6/9	2,5-3,8
DECM 1500 E	2760	4/8/12	2,5-3,8
DECM 2000 E	3680	6/12/18	2,5-3,8



Electrical Heating			
Model	Nominal Airflow (m ³ /h)	Electrical Heating Capacity 400Vx3 (kW)	Recommended Installation Height (m)
DECM 2500 E	4600	6/12/18	2,5-3,8
DG 1000 E	2400	5/10/15	3-4
DG 1500 E	3200	7,5/15/22,5	3-4
DG 2000 E	4800	10/20/30	3-4
DG 2500 E	5600	10/20/30	3-4
DECG 1000 E	2700	5/10/15	3-4,2
DECG 1500 E	3600	7,5/15/22,5	3-4,2
DECG 2000 E	5400	10/20/30	3-4,2
DECG 2500 E	6300	10/20/30	3-4,2

Water Heating					
Model	Nominal Airflow (m ³ /h)	Heating Capacity 80/60°C (kW)	Heating Capacity 60/40°C (kW)	Heating Capacity 50/40°C (kW)	Recommended Installation Height (m)
DM 1000 P86	1660	9,17	-	-	2,5-3,5
DM 1500 P86	2490	14,26	-	-	2,5-3,5
DM 2000 P86	3320	20,65	-	-	2,5-3,5
DM 2500 P86	4150	26,92	-	-	2,5-3,5
DECM 1000 P86	1720	9,38	-	-	2,5-3,8
DECM 1500 P86	2580	14,58	-	-	2,5-3,8
DECM 2000 P86	3440	21,12	-	-	2,5-3,8
DECM 2500 P86	4300	27,53	-	-	2,5-3,8
DG 1000 P86	2250	11,04	-	-	3-4
DG 1500 P86	3000	16,02	-	-	3-4
DG 2000 P86	4500	24,92	-	-	3-4
DG 2500 P86	5250	31,16	-	-	3-4
DECG 1000 P86	2550	11,89	-	-	3-4,2
DECG 1500 P86	3400	17,29	-	-	3-4,2
DECG 2000 P86	5100	26,86	-	-	3-4,2
DECG 2500 P86	5950	33,63	-	-	3-4,2
DM 1000 P64	1660	-	8,56	-	2,5-3,5
DM 1500 P64	2490	-	13,69	-	2,5-3,5
DM 2000 P64	3320	-	18,26	-	2,5-3,5
DM 2500 P64	4150	-	22,12	-	2,5-3,5
DECM 1000 P64	1720	-	8,77	-	2,5-3,8
DECM 1500 P64	2580	-	14,02	-	2,5-3,8
DECM 2000 P64	3440	-	18,7	-	2,5-3,8
DECM 2500 P64	4300	-	23,33	-	2,5-3,8
DG 1000 P64	2250	-	10,42	-	3-4
DG 1500 P64	3000	-	15,47	-	3-4
DG 2000 P64	4500	-	22,29	-	3-4
DG 2500 P64	5250	-	26,61	-	3-4
DECG 1000 P64	2550	-	11,27	-	3-4,2
DECG 1500 P64	3400	-	16,77	-	3-4,2
DECG 2000 P64	5100	-	24,14	-	3-4,2
DECG 2500 P64	5950	-	28,84	-	3-4,2
DM 1000 P54	1660	-	-	8,52	2,5-3,5
DM 1500 P54	2490	-	-	14,34	2,5-3,5
DM 2000 P54	3320	-	-	18,65	2,5-3,5
DM 2500 P54	4150	-	-	24,32	2,5-3,5



Water Heating					
Model	Nominal Airflow (m³/h)	Heating Capacity 80/60°C (kW)	Heating Capacity 60/40°C (kW)	Heating Capacity 50/40°C (kW)	Recommended Installation Height (m)
DECM 1000 P54	1720	-	-	8,74	2,5-3,8
DECM 1500 P54	2580	-	-	14,71	2,5-3,8
DECM 2000 P54	3440	-	-	19,13	2,5-3,8
DECM 2500 P54	4300	-	-	24,95	2,5-3,8
DG 1000 P54	2250	-	-	10,56	3-4
DG 1500 P54	3000	-	-	16,37	3-4
DG 2000 P54	4500	-	-	23,15	3-4
DG 2500 P54	5250	-	-	28,76	3-4
DECG 1000 P54	2550	-	-	11,5	3-4,2
DECG 1500 P54	3400	-	-	17,86	3-4,2
DECG 2000 P54	5100	-	-	25,24	3-4,2
DECG 2500 P54	5950	-	-	31,38	3-4,2

60Hz

Unheated		
Model	Nominal Airflow (m³/h)	Recommended Installation Height (m)
DECM 1000 A	1840	2,5-3,8
DECM 1500 A	2760	2,5-3,8
DECM 2000 A	3680	2,5-3,8
DECM 2500 A	4600	2,5-3,8
DECG 1000 A	2700	3-4,2
DECG 1500 A	3600	3-4,2
DECG 2000 A	5400	3-4,2
DECG 2500 A	6300	3-4,2

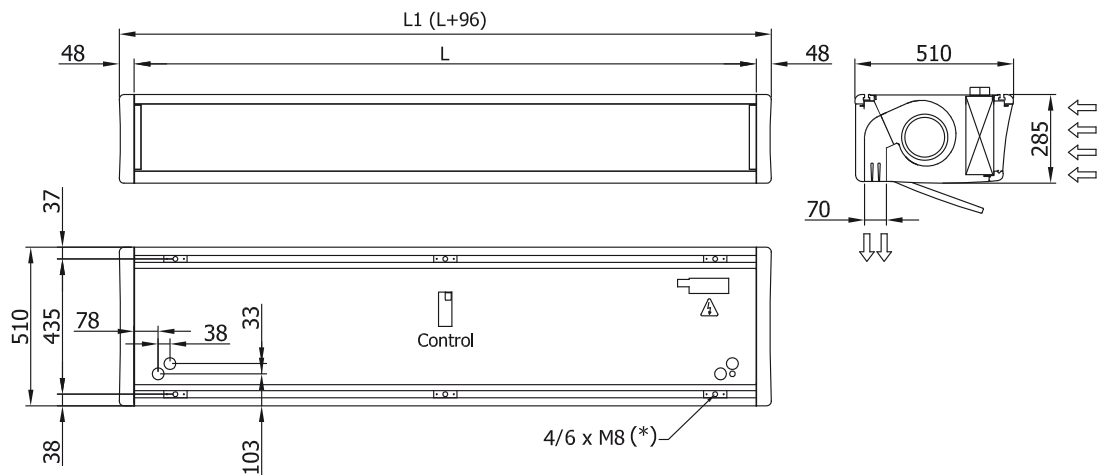
Electrical Heating			
Model	Nominal Airflow (m³/h)	Electrical Heating Capacity 400Vx3 (kW)	Recommended Installation Height (m)
DECM 1000 E	1840	3/6/9	2,5-3,8
DECM 1500 E	2760	4/8/12	2,5-3,8
DECM 2000 E	3680	6/12/18	2,5-3,8
DECM 2500 E	4600	6/12/18	2,5-3,8
DECG 1000 E	2700	5/10/15	3-4,2
DECG 1500 E	3600	7,5/15/22,5	3-4,2
DECG 2000 E	5400	10/20/30	3-4,2
DECG 2500 E	6300	10/20/30	3-4,2

Water Heating					
Model	Nominal Airflow (m³/h)	Heating Capacity 80/60°C (kW)	Heating Capacity 60/40°C (kW)	Heating Capacity 50/40°C (kW)	Recommended Installation Height (m)
DECM 1000 P86	1720	9,38	-	-	2,5-3,8
DECM 1500 P86	2580	14,58	-	-	2,5-3,8
DECM 2000 P86	3440	21,12	-	-	2,5-3,8
DECM 2500 P86	4300	27,53	-	-	2,5-3,8
DECG 1000 P86	2550	11,89	-	-	3-4,2
DECG 1500 P86	3400	17,29	-	-	3-4,2
DECG 2000 P86	5100	26,86	-	-	3-4,2



Model	Water Heating				Recommended Installation Height (m)
	Nominal Airflow (m³/h)	Heating Capacity 80/60°C (kW)	Heating Capacity 60/40°C (kW)	Heating Capacity 50/40°C (kW)	
DECG 2500 P86	5950	33,63	-	-	3-4,2
DECM 1000 P64	1720	-	8,77	-	2,5-3,8
DECM 1500 P64	2580	-	14,02	-	2,5-3,8
DECM 2000 P64	3440	-	18,7	-	2,5-3,8
DECM 2500 P64	4300	-	23,33	-	2,5-3,8
DECG 1000 P64	2550	-	11,27	-	3-4,2
DECG 1500 P64	3400	-	16,77	-	3-4,2
DECG 2000 P64	5100	-	24,14	-	3-4,2
DECG 2500 P64	5950	-	28,84	-	3-4,2
DECM 1000 P54	1720	-	-	8,74	2,5-3,8
DECM 1500 P54	2580	-	-	14,71	2,5-3,8
DECM 2000 P54	3440	-	-	19,13	2,5-3,8
DECM 2500 P54	4300	-	-	24,95	2,5-3,8
DECG 1000 P54	2550	-	-	11,5	3-4,2
DECG 1500 P54	3400	-	-	17,86	3-4,2
DECG 2000 P54	5100	-	-	25,24	3-4,2
DECG 2500 P54	5950	-	-	31,38	3-4,2

Dimensions



	L	L1
Deco 1000	1000	1096
Deco 1500	1500	1596
Deco 2000	2000	2096
Deco 2500	2500	2596