



Characteristics

Smart air curtain combining versatility and design, equipped with Kleenfan photocatalytic technology to disinfect and purify the air in commercial and industrial doorways. Kleenfan technology uses photocatalytic fans: long-life UV-A LED light acts on the titanium dioxide in the impeller, generating Reactive Oxygen Species (ROS) that deactivate a wide range of pathogenic microorganisms (viruses and bacteria) through oxidation-reduction reactions. It also mineralizes most urban air pollutants generated by traffic and industry (NOx, SOx, COx, VOCs, etc.).

Contemporary, discreet and elegant design that blends into any interior architecture. The front panel can be customized with logos, lighting, branding or safety and information signage to meet customer requirements. Self-supporting steel casing with rounded shapes and seamless injected plastic side panels, finished in standard RAL 9016 white epoxy-polyester coating; other colours available on request. Concealed top air intake prevents visibility of the curtain interior and intake grille. Linear discharge outlet with anodized aluminium airfoil blades, adjustable in both directions. Double-inlet centrifugal fans with low-noise, low-energy EC external rotor motors. P models include a hot water coil; E models feature a three-stage electric heater with integrated control; A models provide ambient air only, without heating. An optional DX direct expansion coil is also available. Advanced Plug&Play control included: Advanced PRO controller with LCD display and built-in thermostat, door contact, 7 m RJ11 cable and remote control. Optional Clever PRO intelligent control (automatic, programmable, Modbus via PLC, timer, etc.).



- Kleenfan technology with photocatalytic purificant action fans. UV-A rays, from the long-life led, act on the titanium dioxide of the turbine generation Reactive Oxygen Species (ROS) than, through oxidation /reduction reactions, inactivate wide range of pathogenic microorganisms (viruses and bacteria). It mineralizes most of the pollutants present in urban areas produced by vehicles and industry (NOx, SOx, COx, formaldehydes, VOCs, etc.).
- Stylish, discreet and contemporary design adaptive to any interior architecture.
- Smooth front panel can be customized with logotypes, lighting, lettering or safety and informative signals, according to the client requirements.
- Self-supporting steel rounded casing with edgeless plastic side covers, finished in structural epoxy-polyester painting white colour RAL9016 as standard. Other colours are available on request.
- Hidden top air entrance, avoiding the inside view of the unit and the inlet grille.
- Anodized aluminium outlet vanes, airfoil shaped, adjustable in both directions.
- EC Double-inlet centrifugal fans driven by an external rotor motor and low noise level, with very low consumption efficiency fans.
- “P” type with water heated coil. “E” type with electrical shielded elements, three stages with integrated regulation. “A” type without heating, air only. Optional expansion DX coil.
- Advanced Plug&Play control. Includes: Advanced PRO control with LCD display and integrated thermostat, door contact, 7m RJ11 cable and remote control. Optional: intelligent Clever Pro Control (automatic, programmable, ModBus for PKC, timer, etc.)

Specifications

50Hz

Model	Unheated	
	Nominal Airflow (m³/h)	Recommended Installation Range (m)
SMART ECM 1500 A FC	2760	2,5-3,8
SMART ECM 2000 A FC	3680	2,5-3,8
SMART ECM 2500 A FC	4600	2,5-3,8
SMART ECM 3000 A FC	5520	2,5-3,8
SMART ECG 1000 A FC	2700	3-4,2
SMART ECG 1500 A FC	3600	3-4,2
SMART ECG 2000 A FC	5400	3-4,2
SMART ECG 2500 A FC	6300	3-4,2
SMART ECG 3000 A FC	7200	3-4,2

Electrical Heating



Model	Nominal Airflow (m³/h)	Electrical Heating Capacity 400Vx3 (kW)	Recommended Installation Range (m)
SMART ECM 1000 E FC	1840	3/6/9	2,5-3,8
SMART ECM 1500 E FC	2760	4/8/12	2,5-3,8
SMART ECM 2000 E FC	3680	6/12/18	2,5-3,8
SMART ECM 2500 E FC	4600	6/12/18	2,5-3,8
SMART ECM 3000 E FC	5520	8/16/24	2,5-3,8
SMART ECG 1000 E FC	2700	5/10/15	3-4,2
SMART ECG 1500 E FC	3600	7,5/15/22,5	3-4,2
SMART ECG 2000 E FC	5400	10/20/30	3-4,2
SMART ECG 2500 E FC	6300	10/20/30	3-4,2
SMART ECG 3000 E FC	7200	10/20/30	3-4,2

Water Heating					
Model	Nominal Airflow (m³/h)	Recommended Installation Range (m)	Heating Capacity 80/60°C (kW)	Heating Capacity 60/40°C (kW)	Heating Capacity 50/40°C (kW)
SMART ECM 1000 P86 FC	1720	2,5-3,8	9.38	-	-
SMART ECM 1500 P86 FC	2580	2,5-3,8	14.58	-	-
SMART ECM 2000 P86 FC	3440	2,5-3,8	21.12	-	-
SMART ECM 2500 P86 FC	4300	2,5-3,8	27.53	-	-
SMART ECM 3000 P86 FC	5160	2,5-3,8	33.99	-	-
SMART ECG 1000 P86 FC	2550	3-4,2	11.89	-	-
SMART ECG 1500 P86 FC	3400	3-4,2	17.29	-	-
SMART ECG 2000 P86 FC	5100	3-4,2	26.86	-	-
SMART ECG 2500 P86 FC	5950	3-4,2	33.63	-	-
SMART ECG 3000 P86 FC	6800	3-4,2	40.34	-	-
SMART ECM 1000 P64 FC	1720	2,5-3,8	-	8.77	-
SMART ECM 1500 P64 FC	2580	2,5-3,8	-	14.02	-
SMART ECM 2000 P64 FC	3440	2,5-3,8	-	18.7	-
SMART ECM 2500 P64 FC	4300	2,5-3,8	-	23.33	-
SMART ECM 3000 P64 FC	5160	2,5-3,8	-	29.05	-
SMART ECG 1000 P64 FC	2550	3-4,2	-	11.27	-
SMART ECG 1500 P64 FC	3400	3-4,2	-	16.77	-
SMART ECG 2000 P64 FC	5100	3-4,2	-	24.14	-
SMART ECG 2500 P64 FC	5950	3-4,2	-	28.84	-
SMART ECG 3000 P64 FC	6800	3-4,2	-	34.81	-
SMART ECM 1000 P54 FC	1720	2,5-3,8	-	-	8.74
SMART ECM 1500 P54 FC	2580	2,5-3,8	-	-	14.71
SMART ECM 2000 P54 FC	3440	2,5-3,8	-	-	19.13
SMART ECM 2500 P54 FC	4300	2,5-3,8	-	-	24.95
SMART ECM 3000 P54 FC	5160	2,5-3,8	-	-	30.54
SMART ECG 1000 P54 FC	2550	3-4,2	-	-	11.5
SMART ECG 1500 P54 FC	3400	3-4,2	-	-	17.86
SMART ECG 2000 P54 FC	5100	3-4,2	-	-	25.24
SMART ECG 2500 P54 FC	5950	3-4,2	-	-	31.38
SMART ECG 3000 P54 FC	6800	3-4,2	-	-	37.16

60Hz

Unheated



Model	Nominal Airflow (m³/h)	Recommended Installation Range (m)
SMART ECM 1500 A FC	2760	2,5-3,8
SMART ECM 2000 A FC	3680	2,5-3,8
SMART ECM 2500 A FC	4600	2,5-3,8
SMART ECM 3000 A FC	5520	2,5-3,8
SMART ECG 1000 A FC	2700	3-4,2
SMART ECG 1500 A FC	3600	3-4,2
SMART ECG 2000 A FC	5400	3-4,2
SMART ECG 2500 A FC	6300	3-4,2
SMART ECG 3000 A FC	7200	3-4,2

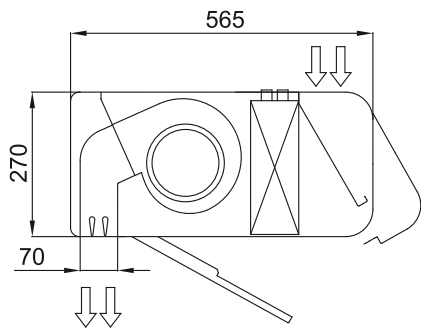
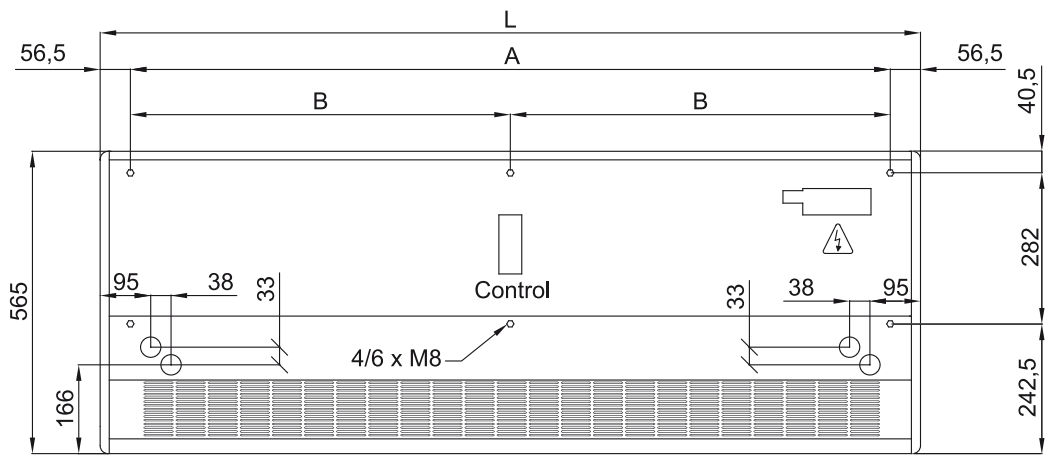
Electrical Heating			
Model	Nominal Airflow (m³/h)	Electrical Heating Capacity 400Vx3 (kW)	Recommended Installation Range (m)
SMART ECM 1000 E FC	1840	3/6/9	2,5-3,8
SMART ECM 1500 E FC	2760	4/8/12	2,5-3,8
SMART ECM 2000 E FC	3680	6/12/18	2,5-3,8
SMART ECM 2500 E FC	4600	6/12/18	2,5-3,8
SMART ECM 3000 E FC	5520	8/16/24	2,5-3,8
SMART ECG 1000 E FC	2700	5/10/15	3-4,2
SMART ECG 1500 E FC	3600	7,5/15/22,5	3-4,2
SMART ECG 2000 E FC	5400	10/20/30	3-4,2
SMART ECG 2500 E FC	6300	10/20/30	3-4,2
SMART ECG 3000 E FC	7200	10/20/30	3-4,2

Water Heating					
Model	Nominal Airflow (m³/h)	Recommended Installation Range (m)	Heating Capacity 80/60°C (kW)	Heating Capacity 60/40°C (kW)	Heating Capacity 50/40°C (kW)
SMART ECM 1000 P86 FC	1720	2,5-3,8	9.38	-	-
SMART ECM 1500 P86 FC	2580	2,5-3,8	14.58	-	-
SMART ECM 2000 P86 FC	3440	2,5-3,8	21.12	-	-
SMART ECM 2500 P86 FC	4300	2,5-3,8	27.53	-	-
SMART ECM 3000 P86 FC	5160	2,5-3,8	33.99	-	-
SMART ECG 1000 P86 FC	2550	3-4,2	11.89	-	-
SMART ECG 1500 P86 FC	3400	3-4,2	17.29	-	-
SMART ECG 2000 P86 FC	5100	3-4,2	26.86	-	-
SMART ECG 2500 P86 FC	5950	3-4,2	33.63	-	-
SMART ECG 3000 P86 FC	6800	3-4,2	40.34	-	-
SMART ECM 1000 P64 FC	1720	2,5-3,8	-	8.77	-
SMART ECM 1500 P64 FC	2580	2,5-3,8	-	14.02	-
SMART ECM 2000 P64 FC	3440	2,5-3,8	-	18.7	-
SMART ECM 2500 P64 FC	4300	2,5-3,8	-	23.33	-
SMART ECM 3000 P64 FC	5160	2,5-3,8	-	29.05	-
SMART ECG 1000 P64 FC	2550	3-4,2	-	11.27	-
SMART ECG 1500 P64 FC	3400	3-4,2	-	16.77	-
SMART ECG 2000 P64 FC	5100	3-4,2	-	24.14	-
SMART ECG 2500 P64 FC	5950	3-4,2	-	28.84	-
SMART ECG 3000 P64 FC	6800	3-4,2	-	34.81	-
SMART ECM 1000 P54 FC	1720	2,5-3,8	-	-	8.74
SMART ECM 1500 P54 FC	2580	2,5-3,8	-	-	14.71
SMART ECM 2000 P54 FC	3440	2,5-3,8	-	-	19.13



Water Heating					
Model	Nominal Airflow (m³/h)	Recommended Installation Range (m)	Heating Capacity 80/60°C (kW)	Heating Capacity 60/40°C (kW)	Heating Capacity 50/40°C (kW)
SMART ECM 2500 P54 FC	4300	2,5-3,8	-	-	24.95
SMART ECM 3000 P54 FC	5160	2,5-3,8	-	-	30.54
SMART ECG 1000 P54 FC	2550	3-4,2	-	-	11.5
SMART ECG 1500 P54 FC	3400	3-4,2	-	-	17.86
SMART ECG 2000 P54 FC	5100	3-4,2	-	-	25.24
SMART ECG 2500 P54 FC	5950	3-4,2	-	-	31.38
SMART ECG 3000 P54 FC	6800	3-4,2	-	-	37.16

Dimensions



	L	A	B
Smart 1000	1034	920	-
Smart 1500	1534	1420	710
Smart 2000	2034	1920	960
Smart 2500	2534	2420	1210
Smart 3000	3034	2920	1460