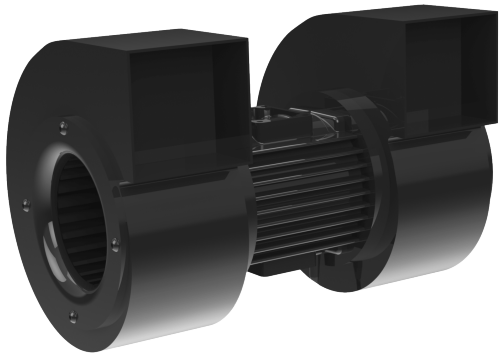


## Characteristics



ETRI customized ventilation solutions are potentially compliant to different MIL norms for ventilation of turret (evacuation of shooting gas), marine applications. Many products of the ETRI brand are NATO codified.