



Characteristics

SMART air curtain bridges the gap between standard and decorative models, making it ideal for commercial and public spaces seeking efficient, sustainable climate control without compromising interior design. It combines advanced technology with a sleek, contemporary aesthetic, featuring a smooth front panel and a concealed top air intake that hides the grille for a clean, elegant appearance.

Its energy saving heat pump compatible version achieves a reduction of up to 70% in consumption and CO2 emissions (in heating mode).

Includes only heating direct expansion coil with installed temperature sensors. Under request it can be modified to work in cooling and heating mode (not recommended) with optional condensate water pump. Internal prefilter included.

Advanced Plug&Play control. Includes: Advanced PRO control with LCD display and integrated thermostat, door contact, 7m RJ11 cable and remote control.

DX VRF
Ready to connect to SAMSUNG CAC outdoor heat pump unit (R410A). Requires SAMSUNG DX Interface KIT adapted for air curtain and programmable control.

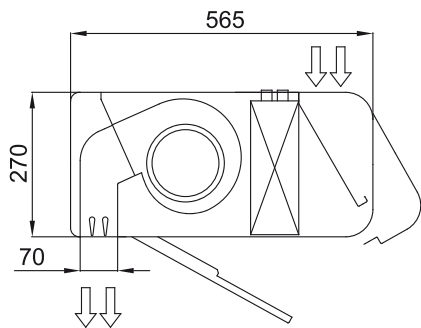
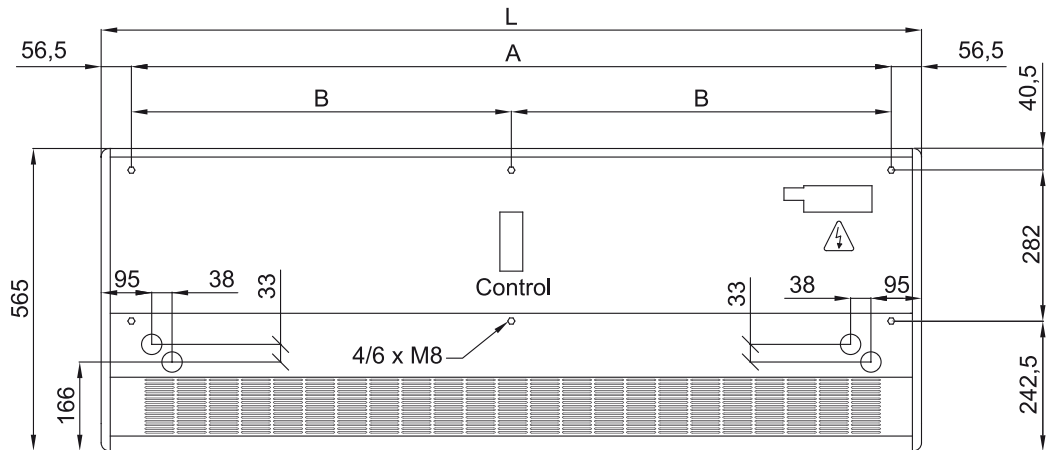


- Energy saving heat pump air curtain: Up to 70% reduction in costs and CO2 emissions (heating mode).
- Stylish, discreet and contemporary design adaptive to any interior architecture.
- Smooth front panel can be customized with logotypes, lighting, lettering or safety and informative signals, according to the client requirements.
- Self-supporting steel rounded casing with edgeless plastic side covers, finished in structural epoxy-polyester painting white colour RAL9016 as standard. Other colours are available on request.
- Hidden top air entrance, avoiding the inside view of the unit and the inlet grille.
- Anodized aluminium outlet vanes, airfoil shaped, adjustable in both directions.
- Low noise double-inlet centrifugal fans with external rotor motor. 5-speed controller. EC models assembled with very low consumption efficiency fans.
- Includes only heating direct expansion coil with installed temperature sensors. Under request it can be modified to work in cooling and heating mode (not recommended) with optional condensate water pump.
- Advanced Plug&Play control. Includes: Advanced PRO control with integrated LCD screen, door contact, 7m RJ11 cable and remote control. With integrated functions: door delay (configurable); operation, alarm and maintenance warning signals; and multiple digital inputs that modify the curtain's operation.
- Includes protective varnish for the electronic board and control.
- DX VRF:
Ready to connect to SAMSUNG CAC outdoor heat pump unit (R410A). Requires SAMSUNG DX Interface KIT adapted for air curtain and programmable control, please consult.

Specifications

50Hz

Dimensions



	L	A	B
Smart 1000	1034	920	-
Smart 1500	1534	1420	710
Smart 2000	2034	1920	960
Smart 2500	2534	2420	1210
Smart 3000	3034	2920	1460