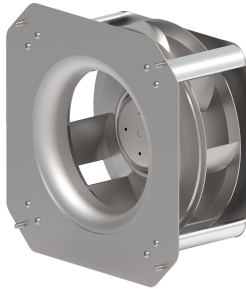




Characteristics

Backward curved centrifugal fans with custom frontal panel, ready to be coupled directly to the client equipment, thus adapting to all possible needs. Robust thanks to its galvanised steel structure and aluminium profile supports, it has a front panel with integrated suction ring available on request. The speed of the various models can be regulated in different ways, either by a transformer or by an electronic signal.



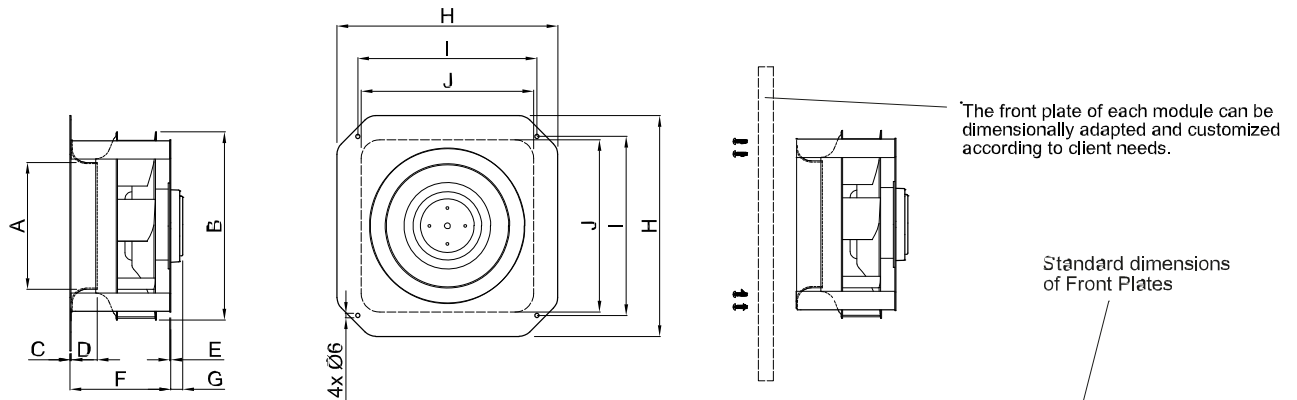
- High efficiency radial back blade fans with robust galvanized steel frame and aluminum profile supports.
- "Plug-fans" prepared to connect directly to ventilation equipment or various applications according to customer needs, facilitating the assembly on the equipment.
- Front fixing panel with integrated suction ring, custom OEM on request.
- Direct connections to the fan.
- RMAC models: variable speed AC fan through transformer regulation.
- RMEC models: 0-100% variable speed EC fan through electronic regulation via 0-10V signal.

Specifications

Model	Tension (V (50 Hz))	Current fans (A)	Power (W)	Speed (rpm)	Air Flow (m ³ /h)	Maximum Pressure (Pa)
RMAC 19240	1x230V	0,3	70	2600	550	330
RMAC 22550	1x230V	0,58	138	2735	1010	470
RMAC 25050	1x230V	0,96	228	2780	1390	610
RMAC 315101	1x230V	0,55	125	1349	1720	246
RMEC 19240 G9	1x230V	1,1	157	3885	910	730
RMEC 22043 G9	1x230V	1,2	155	3480	1180	720
RMEC 22563 G9	1x230V	1,21	160	3200	1430	690
RMEC 25050 G9	1x230V	1,24	156	3185	1570	690
RMEC 25050 V8	1x230V	1,35	312	3410	1850	780
RMEC 28050 V8	1x230V	1,25	266	2955	2020	850
RMEC 28080 V8	1x230V	1,33	311	2310	2220	520
RMEC 33788 V8	1x230V	1,34	314	2230	3080	680



Dimensions



Model	Dimensions (mm)									
	A	B	C	D	E	F	G	H	I	J
RMAC 19240	Ø128	Ø192	1,5	25	1,5	96	-	□223,4	□187,4	□190
RMEC 19240 G9			1,5	25	1,5	96	16			
RMEC 22043 G9	Ø155	Ø220	1,5	35	1,5	107	16	□296	□240	□231
RMAC 22550		Ø227	1,5	35	1,5	135	-			
RMEC 22563		Ø225	1,5	35	1,5	135	16			
RMAC 25050	Ø170	Ø250	1,5	35	1,5	138	-	□296	□240	□231
RMEC 25050 G9			1,5	35	1,5	135	16			
RMEC 25050 V8			1,5	35	1,5	135	39			
RMEC 28080 V8	Ø192	Ø280	1,5	35	2	165	39	□320	□268,7	□260
RMAC 315101	Ø195	Ø315	1,5	55	2	209	-	□380	□330	□321
RMEC 33788 V8	Ø205	Ø337	1,5	48	2	201	39	□400	□350	□327